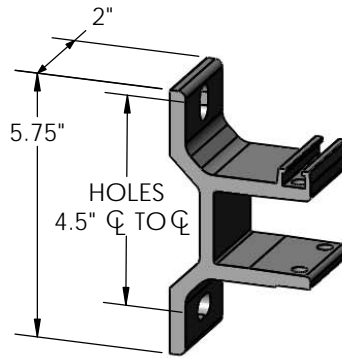
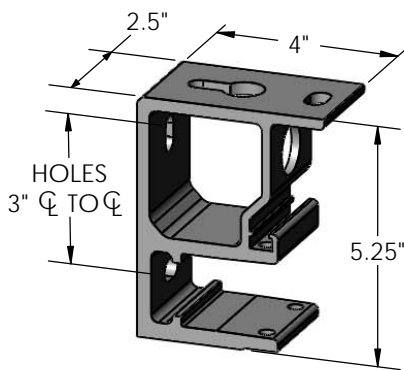


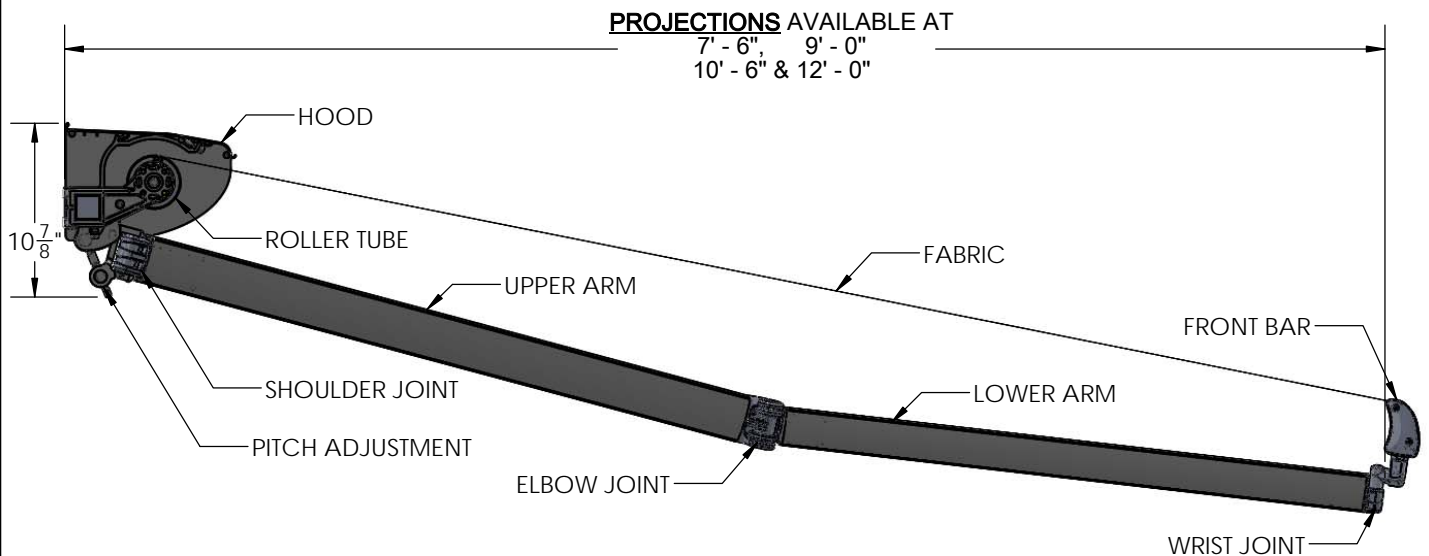


PATIO AWNING

SPECIFICATION DATA SHEET



Application Data	
<ul style="list-style-type: none"> • Maximum: 40' Wide X 12' Projection • Sun and Heat Solution for Patios • Advertising Display 	
Fabrication Data	
<ul style="list-style-type: none"> • Registered ISO 9000/9001 (Quality) • Registered ISO 14001 (Environmental) 	
Standard Features	
<ul style="list-style-type: none"> • Extruded Aluminum Components • Stainless Steel Fasteners • Powder Coat Finish • Solid Bronze Threaded Bearings • Somfy/RTS Motor Drive System • Precision Cast 	
Optional Features	
<ul style="list-style-type: none"> • Hand Crank Drive System • Wireless Sun Sensor • Drop Valance • Customer Adjustable Pitch Adjustment 	
Electrical Data	
<ul style="list-style-type: none"> • AC Motor Specifications: 120 VAC/60Hz • 2 to 3 Amps • FCC Approved And TUV Listed • Somfy/RTS Motor Drive System • Home Automation Interface Available 	
Fabric Options	
<ul style="list-style-type: none"> • Dickson Sunbrella • Blackout Fabrics • Mesh • Acrylics And Custom Graphics 	
Standard Hardware Colors:	
<ul style="list-style-type: none"> • Black • Bronze 	<ul style="list-style-type: none"> • White • Tan



.....SPECIAL NOTES:.....

WHEN MEASURING THE AWNING; PROJECTION IS MEASURED FROM THE MOUNTING SURFACE TO THE FORWARD END OF THE FRONT BAR, WHEN PITCHED AT A 15 DEGREE ANGLE. WIDTH IS MEASURED FROM END TO END OF THE SQUARE TORSION TUBE. IF INSET MOUNTING, DEDUCT 1/2" TO 1" FROM WIDTH TO ALLOW MOUNTING ROOM. ADDING A HOOD WILL ADD 1" TO THE MEASURED WIDTH. FABRIC SEAMS WILL ALWAYS RUN VERTICALLY (ALONG PROJECTION) AND ARE RF-SEALED.