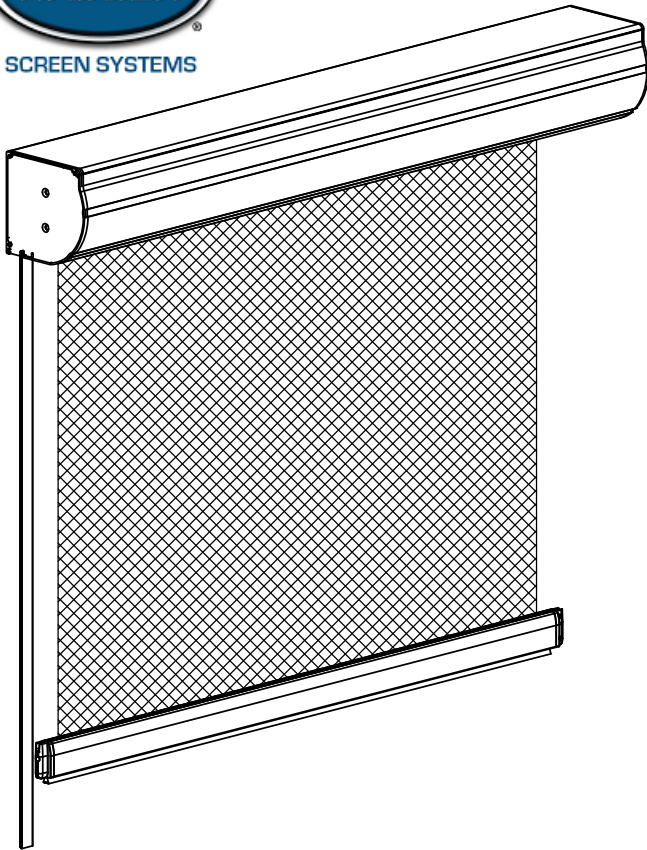
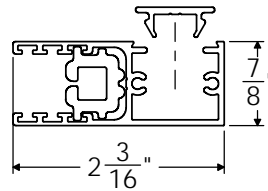


RAINIER SRS™ SERIES 4

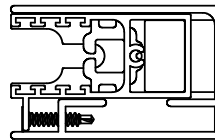
SPECIFICATION DATA SHEET



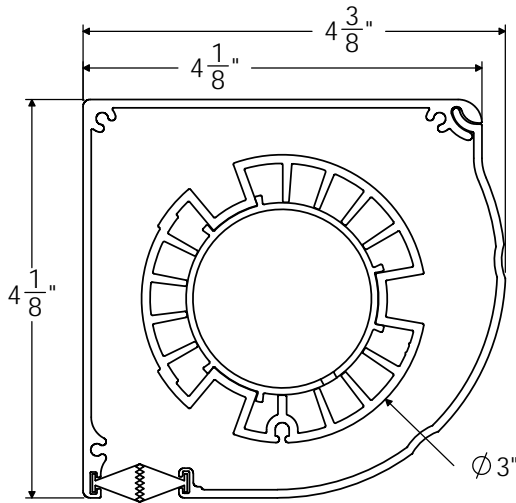
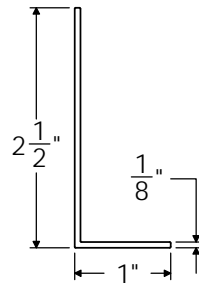
Surface or Inset Mount Side Track



Recessed Side Track (Preconstruction)

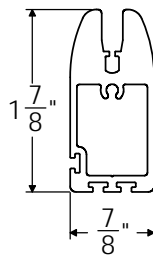


"L" Mounting Bracket (optional)

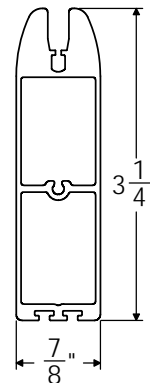


Cable Series 4 Housing

Hem Bar



Tall Hem Bar



Application Data
<ul style="list-style-type: none"> o Interior/Exterior Use o Maximum: 18' (w) X 10" (h) o Low To High Wind Application o Sun, Insect, Weather Or Privacy o Window, Patio and Garage o Advertising Display
Fabrication Data
<ul style="list-style-type: none"> o Registered ISO 9000/9001 o Extruded Aluminum o Nylon Components o Powder Coat Finish o 3" Roller Tube o Stainless Steel Fasteners
Standard Features
<ul style="list-style-type: none"> o Extruded Aluminum Components o Side Track Retention System o Built In Dual Screen Cleaning System o Powder Coated Aluminum End Caps o Somfy/RTS Motor Drive System o Proprietary I Tube™ Roller Tube
Optional Features
<ul style="list-style-type: none"> o Hand Crank Drive System o Wireless Sun Sensor o Custom Colors For All Metal Parts o Recessed Side Tracks (Preconstruction) o "L" Brackets For Inside Mounting
Electrical Data
<ul style="list-style-type: none"> o AC Motor Specifications: 120 VAC/60Hz o 2 to 3 Amps o FCC Approved And TUV Listed o Somfy RTS Motor Drive System o Home Automation Interface Available
Screen Options
<ul style="list-style-type: none"> o Twitchell Super Insect And Solar Screen o Blackout Fabrics o Rainier o Ferrari o Clear Window with Solid Fabrics o Acrylics And Custom Graphics
Graphics
<ul style="list-style-type: none"> o Custom Prints Or SGS Graphics o 1 Or 2 Sides - Mesh Or Solid Fabric
Standard Hardware Colors:
<ul style="list-style-type: none"> <li style="width: 33%;">o Black <li style="width: 33%;">o Green <li style="width: 33%;">o Silver <li style="width: 33%;">o Bronze <li style="width: 33%;">o Navajo <li style="width: 33%;">o Brown <li style="width: 33%;">o Tan <li style="width: 33%;">o Desert Sand <li style="width: 33%;">o White <li style="width: 33%;">o Gray <li style="width: 33%;">o Bright White

Special Notes:

When measuring the screen for an outside flush/surface mount, remember to allow for side tracks (each side is 2 1/4") and remember to allow for the height of your housing plus the height of the hem bar (1 7/8" plus brush size) so that nothing is in the opening. For inside mounting, always take the narrowest measurement and deduct 3/8" minimum to allow for fastening heads and "L" mounting channel thickness (this would be total for both sides). Always use longest measurement for calculating your drop. Fabric seams will always run horizontally. They are placed as high as possible unless otherwise stated. Seam placement is from the bottom of the hem bar up to the seam.