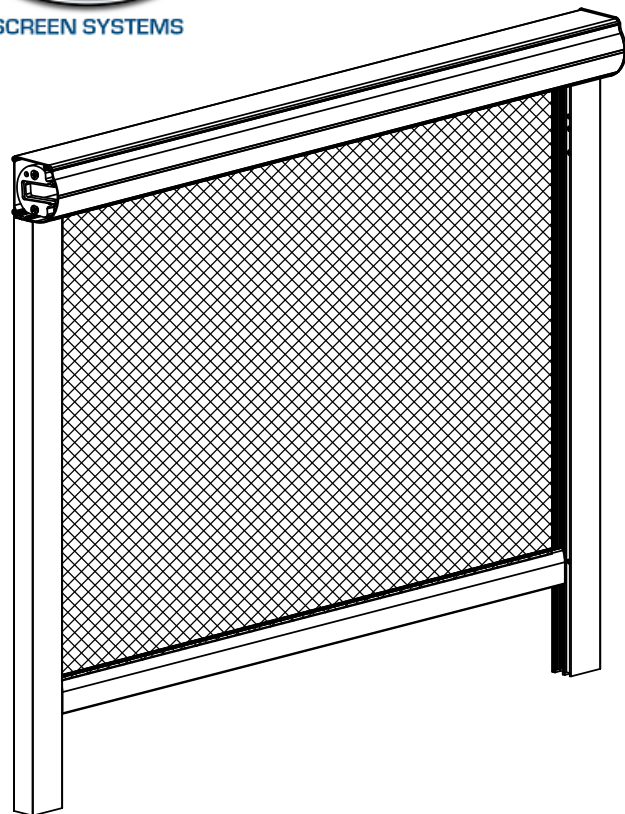


# RAINIER SRS™ SERIES 3

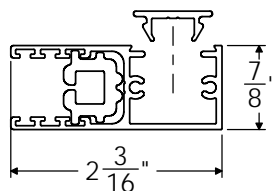
## SPECIFICATION DATA SHEET



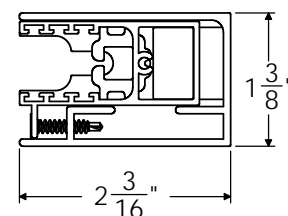
SCREEN SYSTEMS



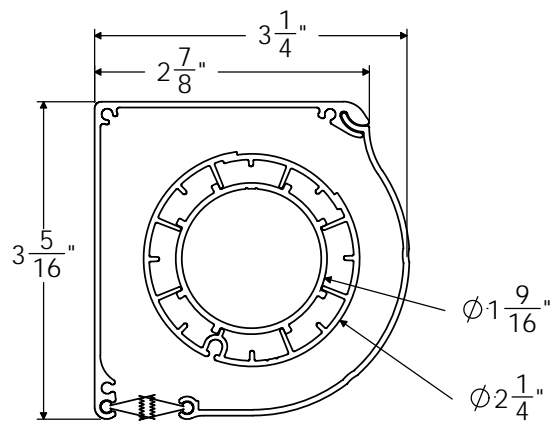
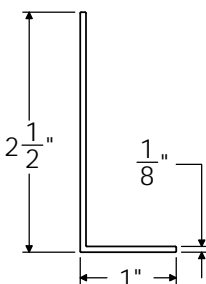
### Surface or Inset Mount Side Track



### Recessed Side Track (Preconstruction)

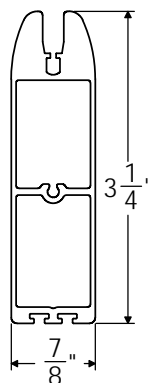


### "L" Mounting Bracket (Inset Option)

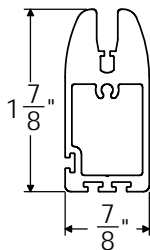


SRS Series 3 Housing

### Tall Hem Bar



### Hem Bar



#### Application Data

- Interior/Exterior Use
- Maximum: 12' (w) X 8' (h)
- Low To Moderate Wind Application
- Sun, Insect, Weather Or Privacy
- Window and Patio
- Advertising Display

#### Fabrication Data

- Registered ISO 9000/9001
- Extruded Aluminum
- Nylon Components
- Powder Coat Finish
- 2-1/4" Roller Tube
- Stainless Steel Fasteners

#### Standard Features

- Extruded Aluminum Components
- Side Track Retention System
- Built In Dual Screen Cleaning System
- Powder Coated Aluminum End Caps
- Proprietary I Tube™ Roller Tube

#### Optional Features

- Hand Crank Drive System
- Custom Colors For All Metal Parts
- Recessed Side Tracks (Preconstruction)
- "L" Brackets For Inside Mounting

#### Electrical Data

- AC Motor Specifications: 120 VAC/60Hz
- 2 to 3 Amps
- FCC Approved And UL Listed
- Somfy Altus 409 R2 RTS
- Home Automation Interface Available

#### Screen Options

- Twitchell Super Insect And Solar Screen
- Blackout Fabrics
- Rainier Solar
- Ferrari
- Acrylics And Custom Graphics

#### Graphics

- Custom Prints Or SGS Graphics
- 1 Or 2 Sides - Mesh Or Solid Fabric

#### Standard Hardware Colors:

- |               |                |          |
|---------------|----------------|----------|
| ○ Black       | ○ Green        | ○ Silver |
| ○ Bronze      | ○ Navajo       |          |
| ○ Brown       | ○ Tan          |          |
| ○ Desert Sand | ○ White        |          |
| ○ Gray        | ○ Bright White |          |

### Special Notes:

When measuring the screen for an outside flush/surface mount, remember to allow for side tracks (each side is 2 1/4") and remember to allow for the height of your housing plus the height of the hem bar (1 7/8" plus brush size) so that nothing is in the opening. For inside mounting, always take the narrowest measurement and deduct 3/8" minimum to allow for fastening heads and "L" mounting channel thickness (this would be total for both sides). Always use longest measurement for calculating your drop. Fabric seams will always run horizontally. They are placed as high as possible unless otherwise stated. Seam placement is from the bottom of the hem bar up to the seam.