

#	DWG #	DESCRIPTION	MATERIAL	QTY
1	RSS-701	SERIES 3 SRS HOUSING ASSEMBLY	MISCELLANEOUS	1
2	RSS-702	SERIES 3 ROLLER TUBE ASSEMBLY	MISCELLANEOUS	1
3	RSS-703	SRS FABRIC ASSEMBLY	MISCELLANEOUS	1
4	RSS-704	STANDARD SIDE TRACK ASSEMBLY	MISCELLANEOUS	2
5	RSS-705	HEM BAR ASSEMBLY	MISCELLANEOUS	1

18375 OLYMPIC AVE. S  
TUKWILA, WA 98188  
1-800-869-7162

<b>RAINIER SCREEN SYSTEMS</b>	
DWG NUMBER RSS-700	DESCRIPTION SERIES 3 SRS ASSEMBLY
MATERIAL MISC	FINISH
REV 0	REV DATE 2013-06-12
REV BY JHN	REV DESCRIPTION REV 0

NOTES

NOTICE: This drawing shall not be copied or used for any purpose other than that for which provided. The information disclosed herein originated by & is the proprietary of Rainier Industries, and except for rights expressly granted by written consent. Such information shall not be disclosed or disseminated whole or in part. Rainier Industries reserves all patent, proprietary, design, use, sale, manufacturing and reproduction rights thereof.



#	DWG #	DESCRIPTION	MATERIAL	QTY
1	S10046	SERIES 3 SRS HOUSING COVER	6063-T6 ALUMINUM	1
2	S10045	SERIES 3 SRS HOUSING BASE	6063-T6 ALUMINUM	1
3	-	#6 X 3/4" SS SELF DRILLING SCREW	STAINLESS STEEL	6
4	-	M6 X 12mm FLAT HEAD SCREW	STAINLESS STEEL	2
5	S10009	SERIES 3 END CAP	6061-T5 ALUMINUM	2
6	S20061	STAR HEAD MOTOR MOUNT	STAINLESS STEEL	1
7	S30109	IDLER MOUNT	POM PLASTIC	1
8	S50169	MOTOR MOUNT CLIP	STAINLESS STEEL	1
9	-	M6 TYPE A2 SS HEX FULL NUT	STAINLESS STEEL	2
10	-	M16 X 16mm FLAT HEAD SCREW	STAINLESS STEEL	2
11	S80017	SERIES 3 BRUSH PILE - BLACK	MISCELLANEOUS	-

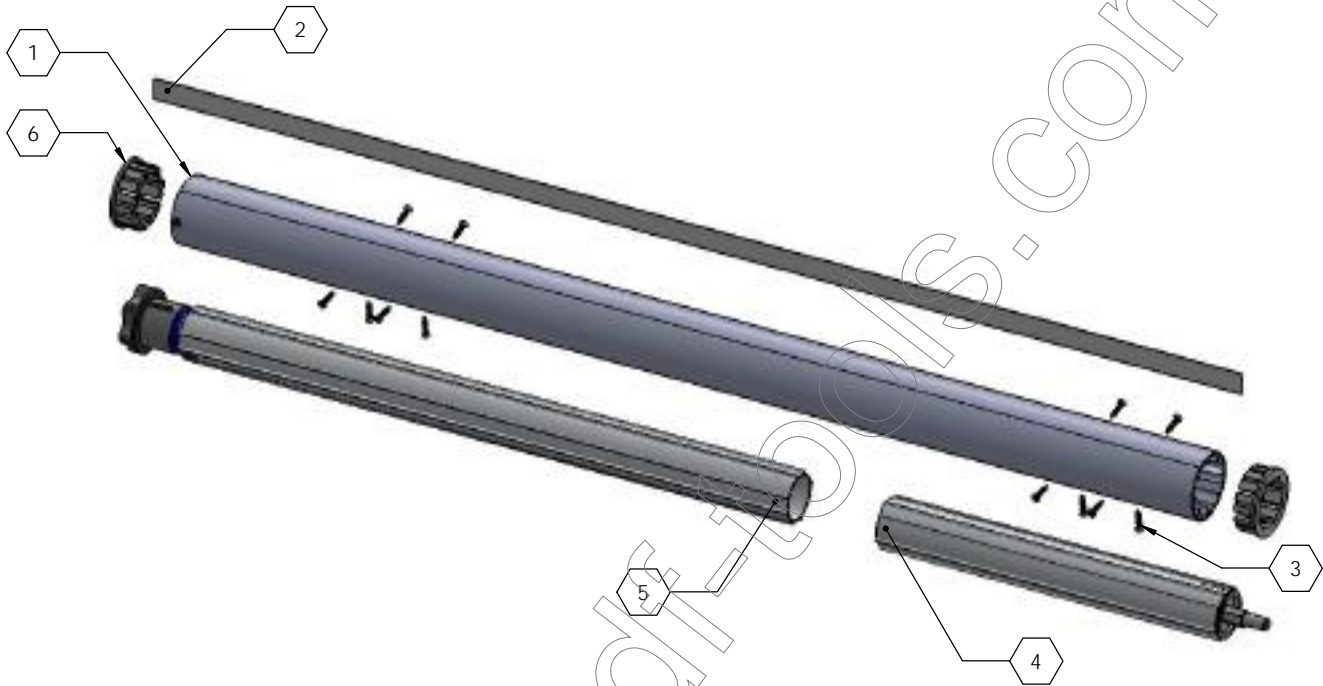
18375 OLYMPIC AVE. S  
TUKWILA, WA 98188  
1-800-869-7162

## RAINIER SCREEN SYSTEMS

DWG. NUMBER RSS-701		DESCRIPTION SERIES 3 SRS HOUSING ASSEMBLY	
MATERIAL MISC		FINISH	
REV 0	REV DATE 2013-05-12	REV BY JHN	REV DESCRIPTION REV 0

NOTICE: This drawing shall not be copied or used for any purpose other than that for which provided. The information disclosed herein originated by & is the proprietary of Rainier Industries, and except for rights expressly granted by written consent. Such information shall not be disclosed or disseminated whole or in part. Rainier Industries reserves all patent, proprietary, design, use, sale, manufacturing and reproduction rights thereto.

NOTES



#	DWG #	DESCRIPTION	MATERIAL	QTY
1	S10047	SERIES 3 OUTER ROLLER TUBE	6063-T6 ALUMINUM	1
2	S00014	1" L/P VELCRO LOOP - WHITE (FABRIC)	MISCELLANEOUS	VAR
3		#6 X 3/4" PAN HEAD SCREW	STEEL	12
4	RSS-710	SERIES 3 IDLER ASSEMBLY	MISCELLANEOUS	1
5	RSS-711	SERIES 3 MOTOR ASSEMBLY	MISCELLANEOUS	1
6	S20003	SERIES 3 GUDGEON	ABS PLASTIC	2



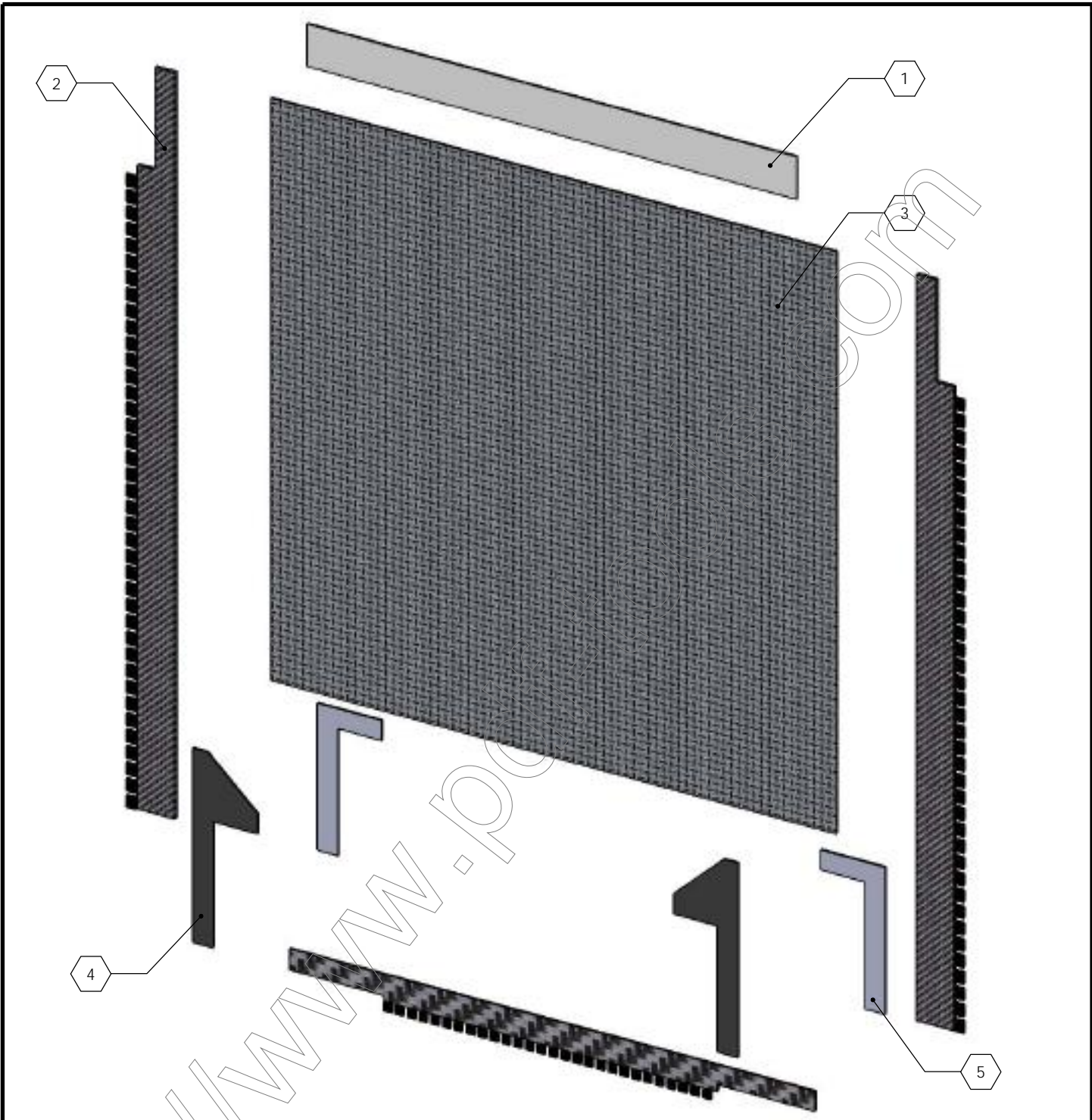
18375 OLYMPIC AVE. S  
TUKWILA, WA 98188  
1-800-869-7162

## RAINIER SCREEN SYSTEMS

DWG NUMBER	DESCRIPTION		
RSS-702	SERIES 3 ROLLER TUBE ASSEMBLY		
MATERIAL	FINISH		
MISC			
REV	REV DATE	REV BY	REV DESCRIPTION
0	2013-11-12	JHN	REV 0

NOTES

NOTICE: This drawing shall not be copied or used for any purpose other than that for which provided. The information disclosed herein originated by & is the proprietary of Rainier Industries, and except for rights expressly granted by written consent. Such information shall not be disclosed or disseminated whole or in part. Rainier Industries reserves all patent, proprietary, design, use, sale, manufacturing and reproduction rights thereof.



#	DWG #	DESCRIPTION	MATERIAL	QTY
1	S00014	1" L/P VELCRO LOOP - WHITE	MISCELLANEOUS	VAR
2		#5 ZIPPER	MISCELLANEOUS	VAR
3		FABRIC PANEL	PER ORDER	1
4	-	REINFORCEMENT TAB	-	2
5	-	BACK TAB	-	2

18375 OLYMPIC AVE. S  
TUKWILA, WA 98188  
1-800-869-7162

## RAINIER SCREEN SYSTEMS

DWG NUMBER		DESCRIPTION	
RSS-703		SRS FABRIC ASSEMBLY	
MATERIAL		FINISH	
MISC			
REV	REV DATE	REV BY	REV DESCRIPTION
0	2013-20-11	JHN	REV 0

NOTES

NOTICE: This drawing shall not be copied or used for any purpose other than that for which provided. The information disclosed herein originated by & is the proprietary of Rainier Industries, and except for rights expressly granted by written consent. Such information shall not be disclosed or disseminated whole or in part. Rainier Industries reserves all patent, proprietary, design, use, sale, manufacturing and reproduction rights thereto.



#	DWG #	DESCRIPTION	MATERIAL	QTY
1	-	#6-20 x 3/4" FLAT HEAD SELF D SCREWS	STEEL	2
2	S20063	SIDE TRACK FUNNEL CAP	POM PLASTIC	1
3	S10032	STANDARD SIDE TRACK	6063-T6 ALUMINUM	1
4	S20016	SIDE TRACK RETAINER - NEW PVC RETAINER	PVC PLASTIC	1
5	S10033	SIDE TRACK COVER	6063-T6 ALUMINUM	1
6	S20055	STANDARD SIDE TRACK BOTTOM CAP	ABS PLASTIC	1



## RAINIER SCREEN SYSTEMS

NOTES

DWG NUMBER		DESCRIPTION	
RSS-704		STANDARD SIDE TRACK ASSEMBLY	
MATERIAL		FINISH	
MISC			
REV	REV DATE	REV BY	REV DESCRIPTION
0	2013-11-11	JHN	REV 0

NOTICE: This drawing shall not be copied or used for any purpose other than that for which provided. The information disclosed herein originated by & is the proprietary of Rainier Industries, and except for rights expressly granted by written consent. Such information shall not be disclosed or disseminated whole or in part. Rainier Industries reserves all patent, proprietary, design, use, sale, manufacturing and reproduction rights thereto.



#	DWG #	DESCRIPTION	MATERIAL	QTY
1	-	#6 X 3/4" PAN HEAD SCREW	STEEL	2
2	S20106	SINGLE HEM BAR END CAP - LEFT	POM PLASTIC	1
3	S10036	STANDARD HEM BAR	6063-T6 ALUMINUM	1
4	S20107	SINGLE HEM BAR END CAP - RIGHT	POM PLASTIC	1
5	-	#6 X 3/8" FLAT HEAD SCREW	STEEL	4
6	S20010	1/2 X 3/4 X 20' STEEL ROD (HEM BAR WEIGHT)	STEEL	2
7	S80008	1/2" BRUSH PILE - BLACK	MISCELLANEOUS	-
7	S80005	1/2" BRUSH PILE - WHITE	MISCELLANEOUS	-
7	S80006	1/4" BRUSH PILE - WHITE	MISCELLANEOUS	-
7	S80009	1/4" BRUSH PILE - BLACK	MISCELLANEOUS	-
7	S80017	SERIES 3 BRUSH PILE - BLACK	MISCELLANEOUS	-
7	S80010	1" BRUSH PILE - BLACK	MISCELLANEOUS	-
7	S80004	3/4" BRUSH PILE - WHITE	MISCELLANEOUS	-
7	S80011	2" BRUSH PILE - BLACK	MISCELLANEOUS	-



18375 OLYMPIC AVE. S  
TUKWILA, WA 98188  
1-800-869-7162

## RAINIER SCREEN SYSTEMS

DWG. NUMBER		DESCRIPTION	
RSS-705		HEM BAR ASSEMBLY	
MATERIAL		FINISH	
MISC			
REV	REV DATE	REV BY	REV DESCRIPTION
0	2013-12-05	JHN	REV 0

NOTICE: This drawing shall not be copied or used for any purpose other than that for which provided. The information disclosed herein originated by & is the proprietary of Rainier Industries, and except for rights expressly granted by written consent. Such information shall not be disclosed or disseminated whole or in part. Rainier Industries reserves all patent, proprietary, design, use, sale, manufacturing and reproduction rights thereof.

NOTES



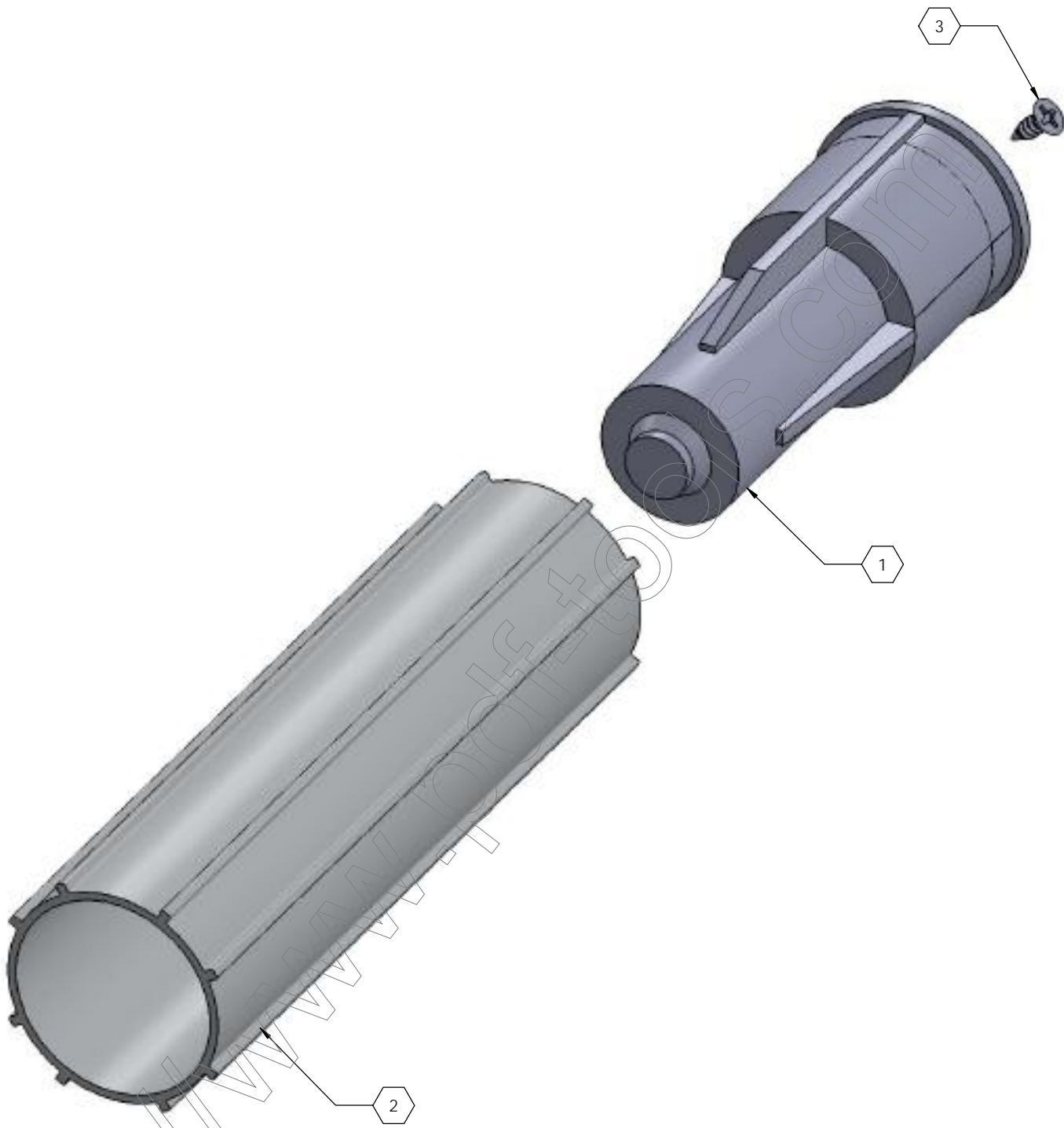
#	DWG #	DESCRIPTION	MATERIAL	QTY
1	S10011	RECESSED OUTER TRACK	6063-T6 ALUMINUM	1
2	S10062	RECESSED INNER TRACK	6063-T6 ALUMINUM	1
3	S20016	SIDE TRACK RETAINER	PVC PLASTIC	1
4	-	RECESSED SIDE TRACK ADHESIVE FOAM	MISCELLANEOUS	2
5	-	#6 X 1-1/2" FLAT HEAD SCREW	STEEL	2
6	S20012	RECESSED SIDE TRACK TOP CAP	HDPE PLASTIC	1
7	-	#6 X 3/4" FLAT HEAD SCREW	STEEL	2
8	S20000	RECESSED SIDE TRACK BOTTOM CAP	HDPE PLASTIC	1

18375 OLYMPIC AVE. S  
TUKWILA, WA 98188  
1-800-869-7162

<b>RAINIER SCREEN SYSTEMS</b>	
DWG NUMBER RSS-604	DESCRIPTION RECESSED SIDE TRACK ASSEMBLY
MATERIAL MISC	FINISH
REV 0	REV DATE 2013-03-12
REV BY JHN	REV DESCRIPTION REV 0

NOTES
-------

NOTICE: This drawing shall not be copied or used for any purpose other than that for which provided. The information disclosed herein originated by & is the proprietary of Rainier Industries, and except for rights expressly granted by written consent. Such information shall not be disclosed or disseminated whole or in part. Rainier Industries reserves all patent, proprietary, design, use, sale, manufacturing and reproduction rights thereof.



#	DWG #	DESCRIPTION	MATERIAL	QTY
1	S20088	1.5" SPRING IDLER (TIME STYLES)	MISCELLANEOUS	1
2	S10049	SERIES 3 INNER ROLLER TUBE	6063-T6 ALUMINUM	1
3	-	#6 X 3/8" PHIL FLAT HEAD SCREW	STEEL	1

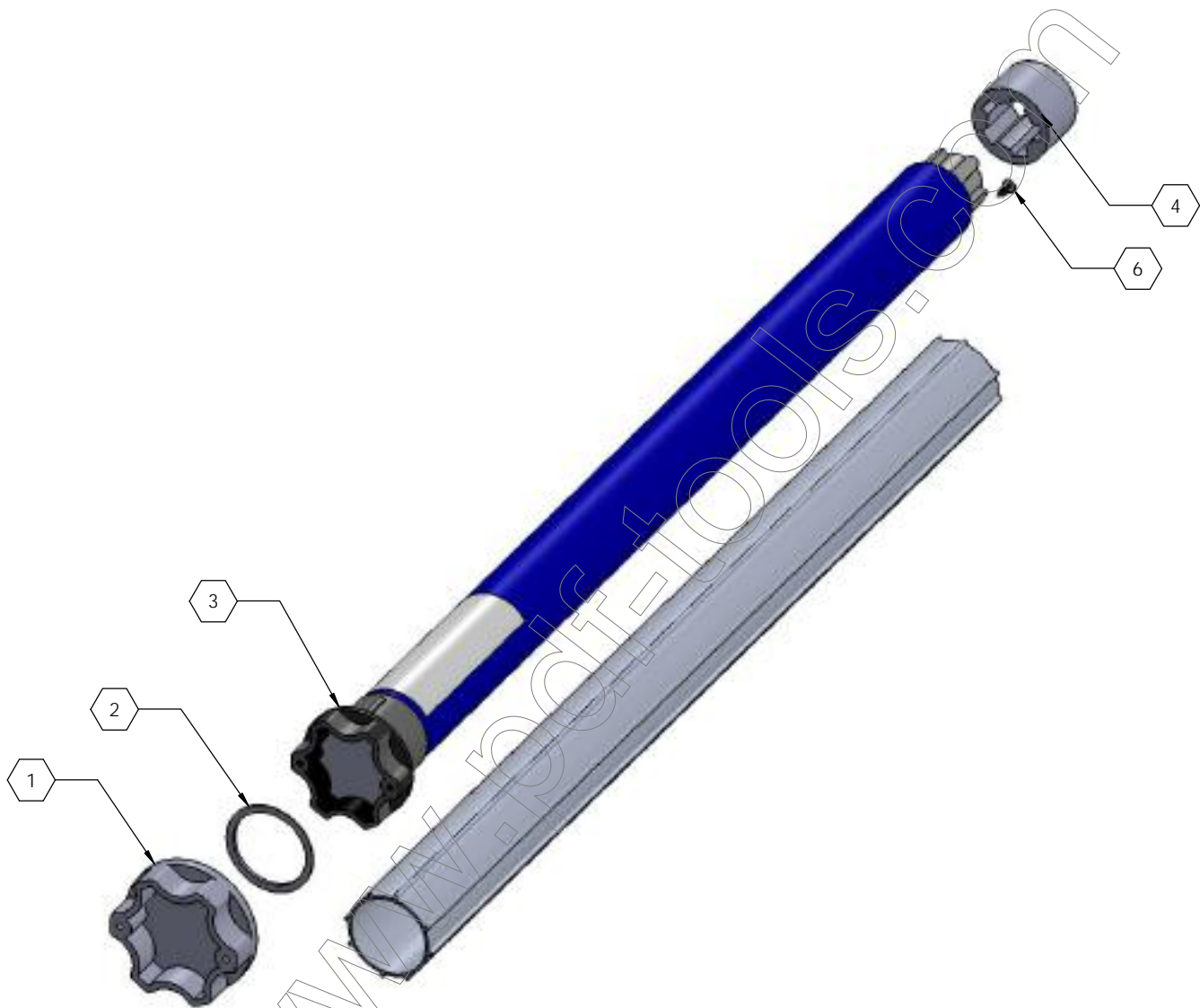
18375 OLYMPIC AVE. S  
TUKWILA, WA 98188  
1-800-869-7162

<b>RAINIER SCREEN SYSTEMS</b>	
DWG NUMBER RSS-710	DESCRIPTION SERIES 3 IDLER ASSEMBLY
MATERIAL MISC	FINISH
REV 0	REV DATE 2013-03-12
REV BY JHN	REV DESCRIPTION REV 0

NOTES

NOTICE: This drawing shall not be copied or used for any purpose other than that for which provided. The information disclosed herein originated by & is the proprietary of Rainier Industries, and except for rights expressly granted by written consent. Such information shall not be disclosed or disseminated whole or in part. Rainier Industries reserves all patent, proprietary, design, use, sale, manufacturing and reproduction rights thereto.





#	DWG #	DESCRIPTION	MATERIAL	QTY
1	S50161	40MM TO 50MM MOTOR MOUNT CONVERSION	MISCELLANEOUS	1
2	S20049	CROWN - LS 40 MOTOR	ABS PLASTIC	1
3	S50080	409R2 ALTUS RTS MOTOR	MISCELLANEOUS	1
4	S20056	MOTOR DRIVE - LS 40 MOTOR	ABS PLASTIC	1
5	S10049	SERIES 3 INNER ROLLER TUBE	6063-T6 ALUMINUM	1
6	-	#6 X 3/8 PHIL FLAT HEAD SCREW	STEEL	1



## RAINIER SCREEN SYSTEMS

NOTES

DWG NUMBER		DESCRIPTION	
RSS-711		SERIES 3 MOTOR ASSEMBLY	
MATERIAL		FINISH	
MISC			
REV	REV DATE	REV BY	REV DESCRIPTION
0	2013-03-12	JHN	REV 0

NOTICE: This drawing shall not be copied or used for any purpose other than that for which provided. The information disclosed herein originated by & is the proprietary of Rainier Industries, and except for rights expressly granted by written consent. Such information shall not be disclosed or disseminated whole or in part. Rainier Industries reserves all patent, proprietary, design, use, sale, manufacturing and reproduction rights thereto.



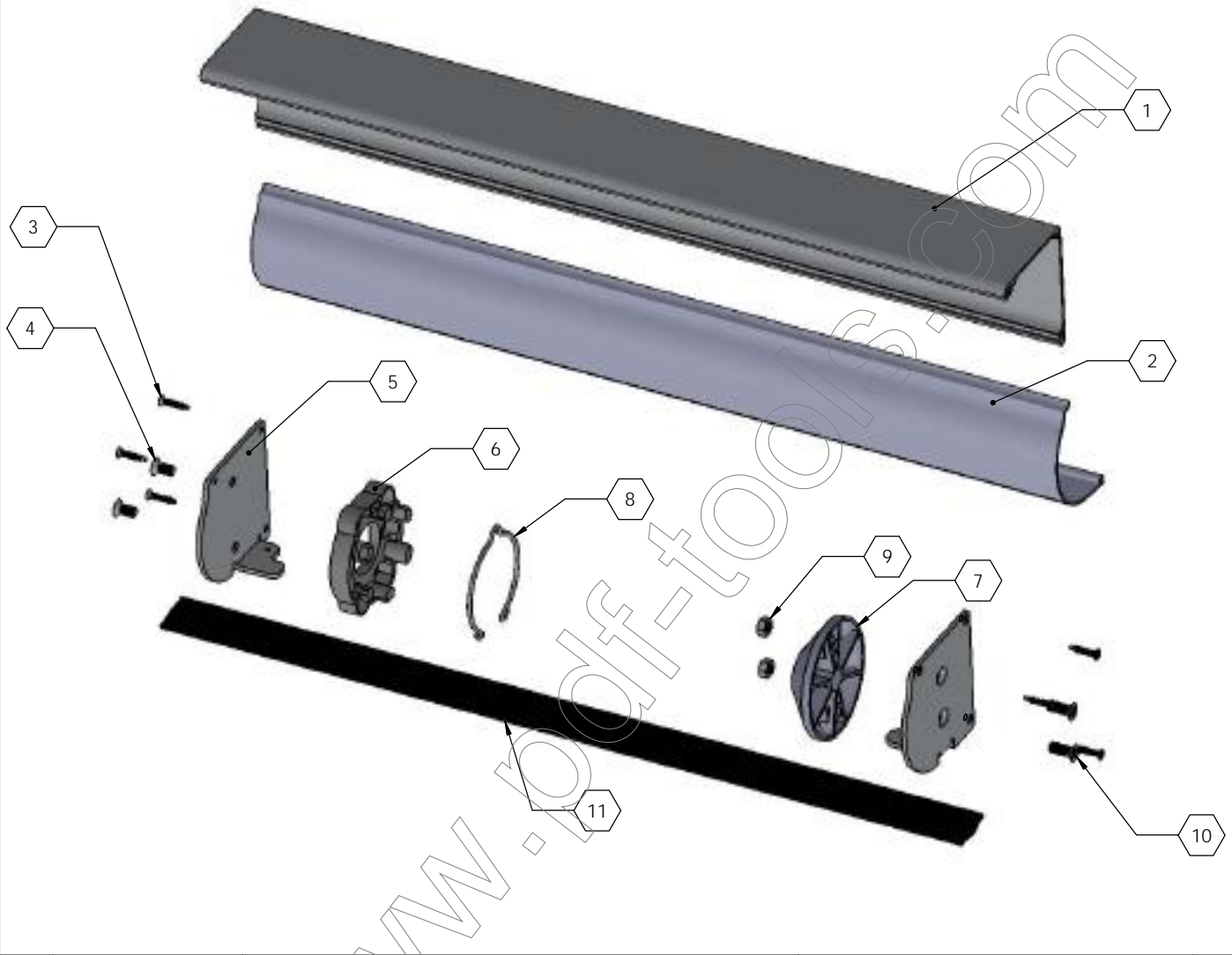
#	DWG #	DESCRIPTION	MATERIAL	QTY
1	RSS-721	SERIES 3 CABLE HOUSING ASSEMBLY	MISCELLANEOUS	1
2	RSS-702	SERIES 3 ROLLER TUBE ASSEMBLY	MISCELLANEOUS	1
3	RSS-823	CABLE FABRIC ASSEMBLY	MISCELLANEOUS	1
4	RSS-824	CABLE WALL MOUNT ASSEMBLY	MISCELLANEOUS	2
5	RSS-825	CABLE HEM BAR ASSEMBLY	MISCELLANEOUS	1
6	RSS-826	CABLE FLOOR MOUNT ASSEMBLY	MISCELLANEOUS	2

18375 OLYMPIC AVE. S  
TUKWILA, WA 98188  
1-800-869-7162

<b>RAINIER SCREEN SYSTEMS</b>			
DWG NUMBER		DESCRIPTION	
RSS-720		SERIES 3 CABLE ASSEMBLY	
MATERIAL		FINISH	
MISC			
REV	REV DATE	REV BY	REV DESCRIPTION
0	2013-01-12	JHN	REV 0

NOTES

NOTICE: This drawing shall not be copied or used for any purpose other than that for which provided. The information disclosed herein originated by & is the proprietary of Rainier Industries, and except for rights expressly granted by written consent. Such information shall not be disclosed or disseminated whole or in part. Rainier Industries reserves all patent, proprietary, design, use, sale, manufacturing and reproduction rights thereto.



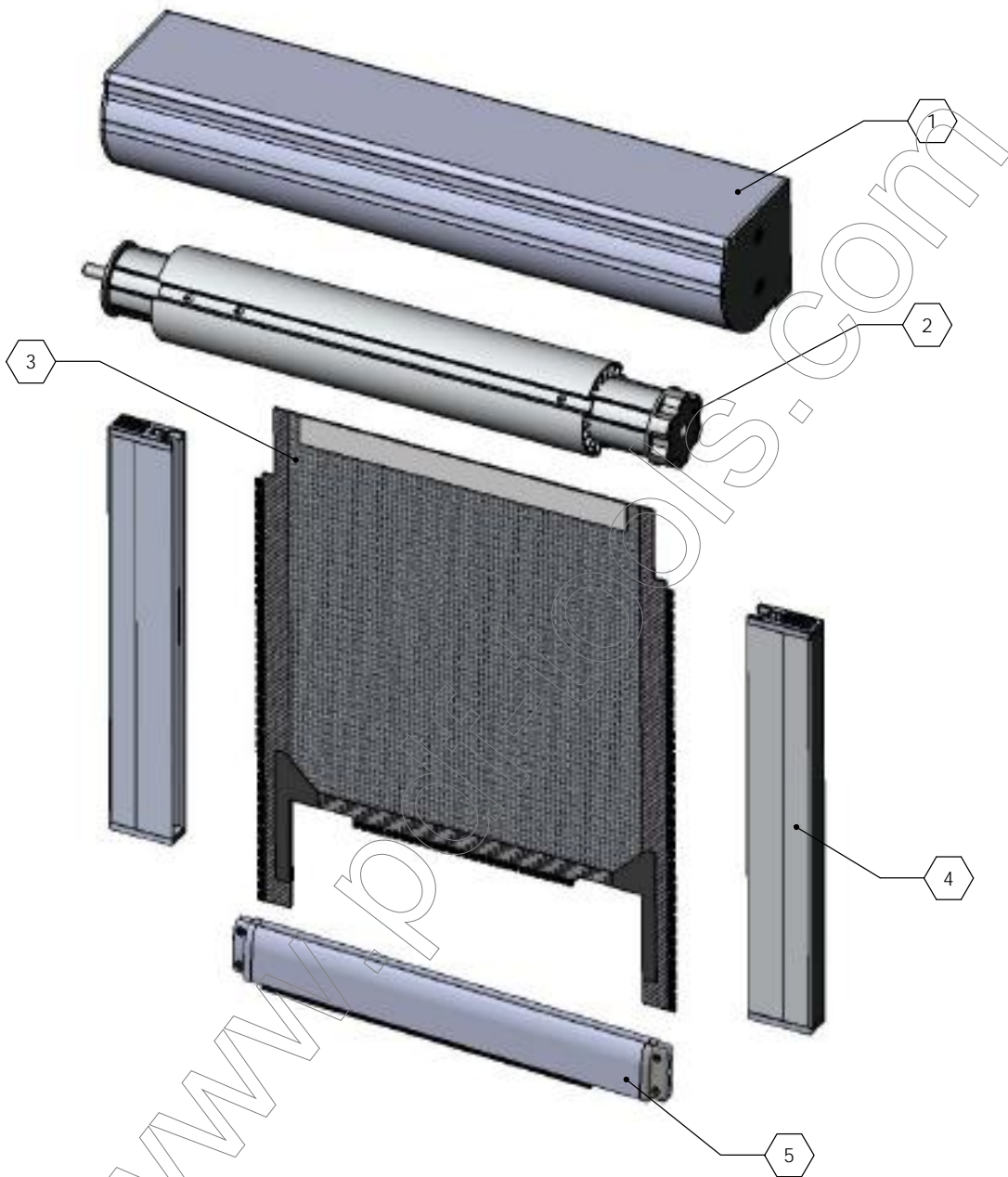
#	DWG #	DESCRIPTION	MATERIAL	QTY
1	S10046	SERIES 3 SRS HOUSING COVER	6063-T6 ALUMINUM	1
2	S10045	SERIES 3 SRS HOUSING BASE	6063-T6 ALUMINUM	1
3	-	#6 X 3/4" SS SELF DRILLING SCREW	STAINLESS STEEL	6
4	-	M6 X 12mm FLAT HEAD SCREW	STAINLESS STEEL	2
5	S10007	SERIES 3 CABLE END CAP	6061-T5 ALUMINUM	2
6	S20061	STAR HEAD MOTOR MOUNT	STAINLESS STEEL	1
7	S30109	IDLER MOUNT	POM PLASTIC	1
8	S50169	MOTOR MOUNT CLIP	STAINLESS STEEL	1
9	-	M6 TYPE A2 SS HEX FULL NUT	STAINLESS STEEL	2
10	-	M16 X 16mm FLAT HEAD SCREW	STAINLESS STEEL	2
11	S80017	SERIES 3 BRUSH PILE - BLACK	MISCELLANEOUS	-

18375 OLYMPIC AVE. S  
TUKWILA, WA 98188  
1-800-869-7162

<b>RAINIER SCREEN SYSTEMS</b>	
DWG NUMBER RSS-721	DESCRIPTION SERIES 3 CABLE HOUSING ASSEMBLY
MATERIAL MISC	FINISH
REV 0	REV DATE 2013-05-12
REV BY JHN	REV DESCRIPTION REV 0

NOTES

NOTICE: This drawing shall not be copied or used for any purpose other than that for which provided. The information disclosed herein originated by & is the proprietary of Rainier Industries, and except for rights expressly granted by written consent. Such information shall not be disclosed or disseminated whole or in part. Rainier Industries reserves all patent, proprietary, design, use, sale, manufacturing and reproduction rights thereto.



#	DWG #	DESCRIPTION	MATERIAL	QTY
1	RSS-801	SERIES 4 SRS HOUSING ASSEMBLY	MISCELLANEOUS	1
2	RSS-802	SERIES 4 ROLLER TUBE ASSEMBLY	MISCELLANEOUS	1
3	RSS-703	SRS FABRIC ASSEMBLY	MISCELLANEOUS	1
4	RSS-704	STANDARD SIDE TRACK ASSEMBLY	MISCELLANEOUS	2
5	RSS-705	HEM BAR ASSEMBLY	MISCELLANEOUS	1

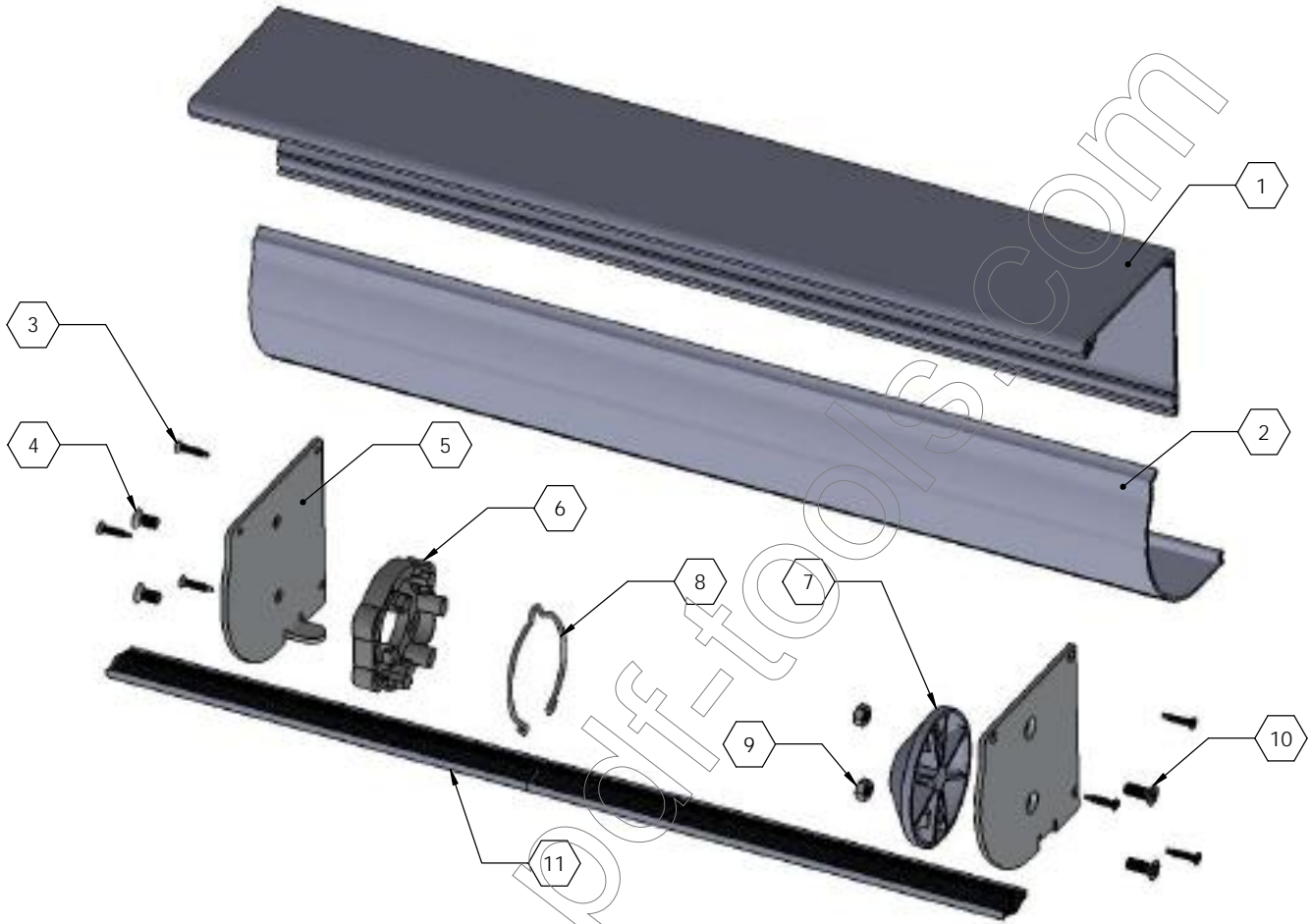


18375 OLYMPIC AVE. S  
TUKWILA, WA 98188  
1-800-869-7162

<b>RAINIER SCREEN SYSTEMS</b>	
DWG NUMBER RSS-800	DESCRIPTION SERIES 4 SRS ASSEMBLY
MATERIAL MISC	FINISH
REV 0	REV DATE 2013-11-01
REV BY JHN	REV DESCRIPTION REV 0

NOTES

NOTICE: This drawing shall not be copied or used for any purpose other than that for which provided. The information disclosed herein originated by & is the proprietary of Rainier Industries, and except for rights expressly granted by written consent. Such information shall not be disclosed or disseminated whole or in part. Rainier Industries reserves all patent, proprietary, design, use, sale, manufacturing and reproduction rights thereto.



#	DWG #	DESCRIPTION	MATERIAL	QTY
1	S10044	SERIES 4 SRS HOUSING COVER	6063-T6 ALUMINUM	1
2	S10043	SERIES 4 SRS HOUSING BASE	6063-T6 ALUMINUM	1
3	-	#6 X 3/4" SS SELF DRILLING SCREW	STAINLESS STEEL	6
4	-	M6 X 12mm FLAT HEAD SCREW	STAINLESS STEEL	2
5	S10005	SERIES 4 SRS END CAP	6061-T5 ALUMINUM	2
6	S20061	STAR HEAD MOTOR MOUNT	STAINLESS STEEL	1
7	S30109	SERIES 4 SRS IDLER MOUNT	POM PLASTIC	1
8	S50169	SERIES 4 SRS MOTOR MOUNT CLIP	STAINLESS STEEL	1
9	-	M6 TYPE A2 SS HEX FULL NUT	STAINLESS STEEL	2
10	-	M16 X 16mm FLAT HEAD SCREW	STAINLESS STEEL	2
11	S80008	1/2" BRUSH PILE - BLACK	MISCELLANEOUS	-

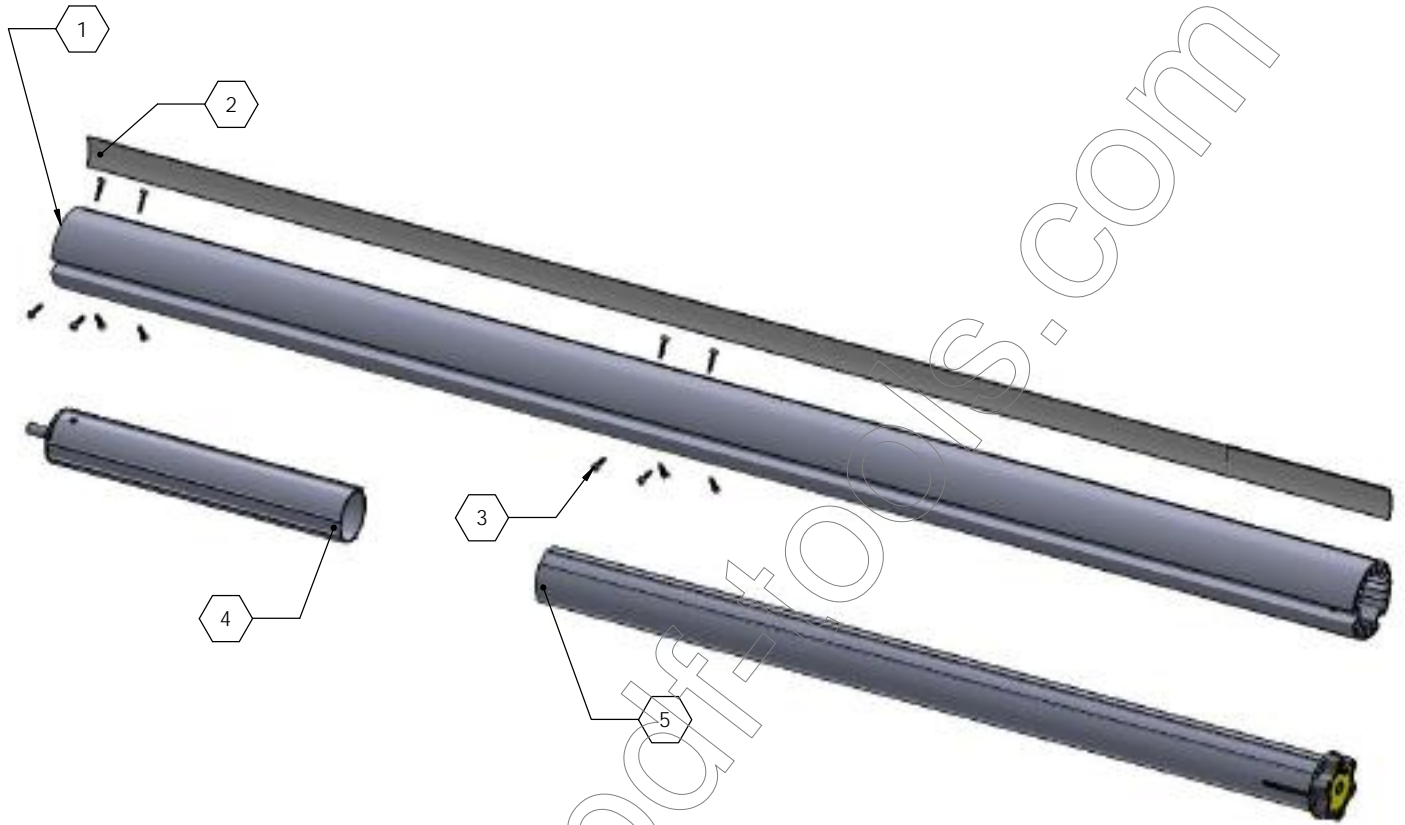
18375 OLYMPIC AVE. S  
TUKWILA, WA 98188  
1-800-869-7162

## RAINIER SCREEN SYSTEMS

DWG NUMBER		DESCRIPTION	
RSS-801		SERIES 4 SRS HOUSING ASSEMBLY	
MATERIAL		FINISH	
MISC			
REV	REV DATE	REV BY	REV DESCRIPTION
0	2013-01-11	JHN	REV 0

NOTICE: This drawing shall not be copied or used for any purpose other than that for which provided. The information disclosed herein originated by & is the proprietary of Rainier Industries, and except for rights expressly granted by written consent. Such information shall not be disclosed or disseminated whole or in part. Rainier Industries reserves all patent, proprietary, design, use, sale, manufacturing and reproduction rights thereto.

NOTES



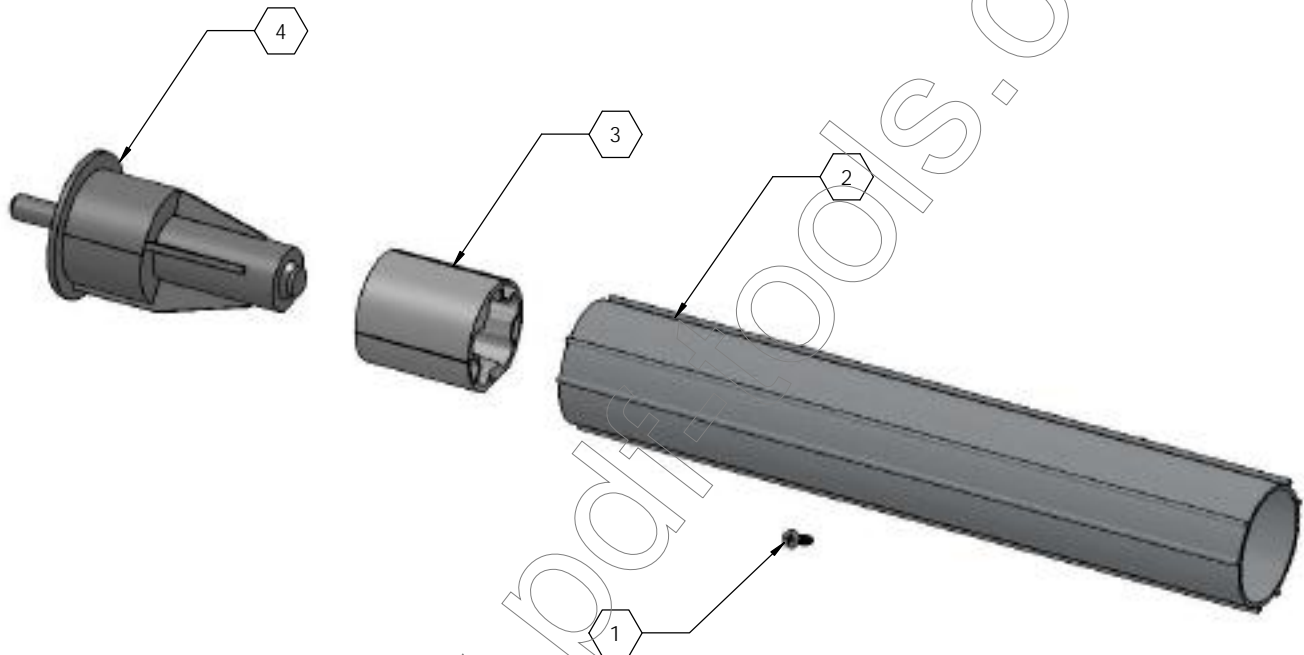
#	DWG #	DESCRIPTION	MATERIAL	QTY
1	S10042	SERIES 4 OUTER ROLLER TUBE	6063-T6 ALUMINUM	1
2	S00014	1" L/P VELCRO LOOP - WHITE (FABRIC)	MISCELLANEOUS	VAR
3		#6 X 3/4" PAN HEAD SCREW	STEEL	12
4	RSS-810	SERIES 4 IDLER ASSEMBLY	MISCELLANEOUS	1
5	RSS-811	SERIES 4 MOTOR ASSEMBLY	MISCELLANEOUS	1



<b>RAINIER SCREEN SYSTEMS</b>	
DWG NUMBER RSS-802	DESCRIPTION SERIES 4 ROLLER TUBE ASSEMBLY
MATERIAL MISC	FINISH
REV 0	REV DATE 2013-11-12
REV BY JHN	REV DESCRIPTION REV 0

NOTES

NOTICE: This drawing shall not be copied or used for any purpose other than that for which provided. The information disclosed herein originated by & is the proprietary of Rainier Industries, and except for rights expressly granted by written consent. Such information shall not be disclosed or disseminated whole or in part. Rainier Industries reserves all patent, proprietary, design, use, sale, manufacturing and reproduction rights thereto.



#	DWG #	DESCRIPTION	MATERIAL	QTY
1		#6 X 3/4 FLAT HEAD SCREW	STEEL	1
2	S10048	SERIES 4 INNER TUBE	6063-T6 ALUMINUM	1
3	S20027	IDLER DRIVE	POM PLASTIC	1
4	S20064	2" SPRING IDLER	MISCELLANEOUS	1

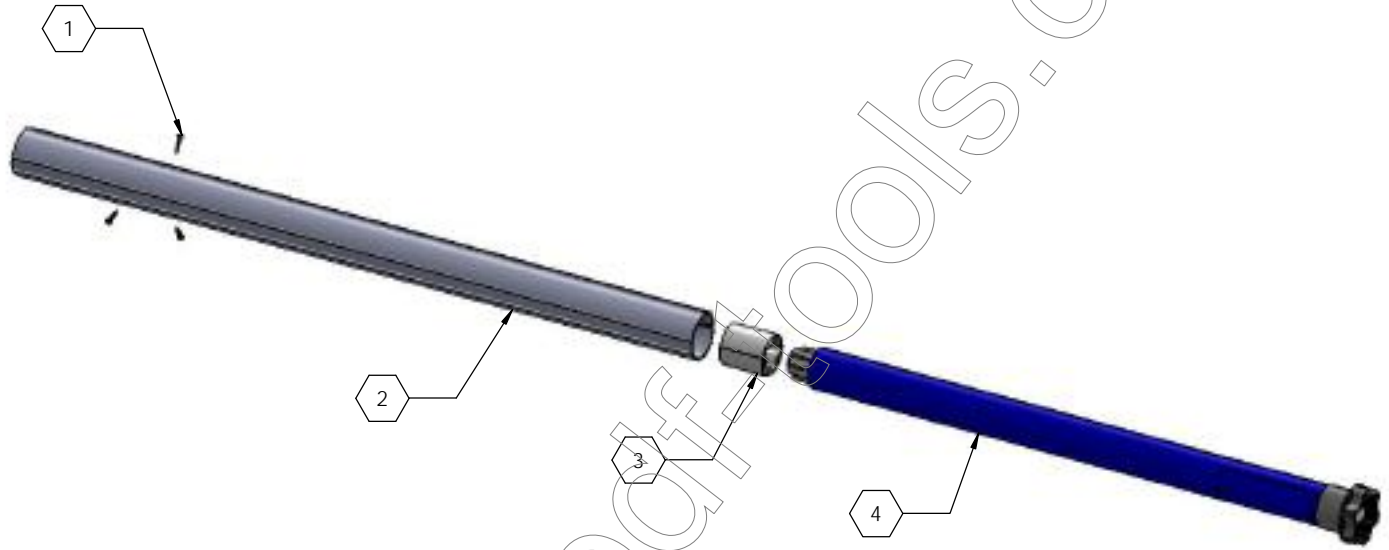
18375 OLYMPIC AVE. S  
TUKWILA, WA 98188  
1-800-869-7162

**RAINIER SCREEN SYSTEMS**

DWG. NUMBER		DESCRIPTION	
RSS-810		SERIES 4 IDLER ASSEMBLY	
MATERIAL		FINISH	
MISC			
REV	REV DATE	REV BY	REV DESCRIPTION
0	2013-20-11	JHN	REV 0

NOTICE: This drawing shall not be copied or used for any purpose other than that for which provided. The information disclosed herein originated by & is the proprietary of Rainier Industries, and except for rights expressly granted by written consent. Such information shall not be disclosed or disseminated whole or in part. Rainier Industries reserves all patent, proprietary, design, use, sale, manufacturing and reproduction rights thereof.

NOTES



#	DWG #	DESCRIPTION	MATERIAL	QTY
1		#6 X 3/4 FLAT HEAD SCREW	STEEL	3
2	S10048	SERIES 4 INNER TUBE	6063-T6 ALUMINUM	1
3	S20027	IDLER DRIVE	MISCELLANEOUS	1
4	S50028	535A2 ALTUS RTS MOTOR	MISCELLANEOUS	1



18375 OLYMPIC AVE. S  
TUKWILA, WA 98188  
1-800-869-7162

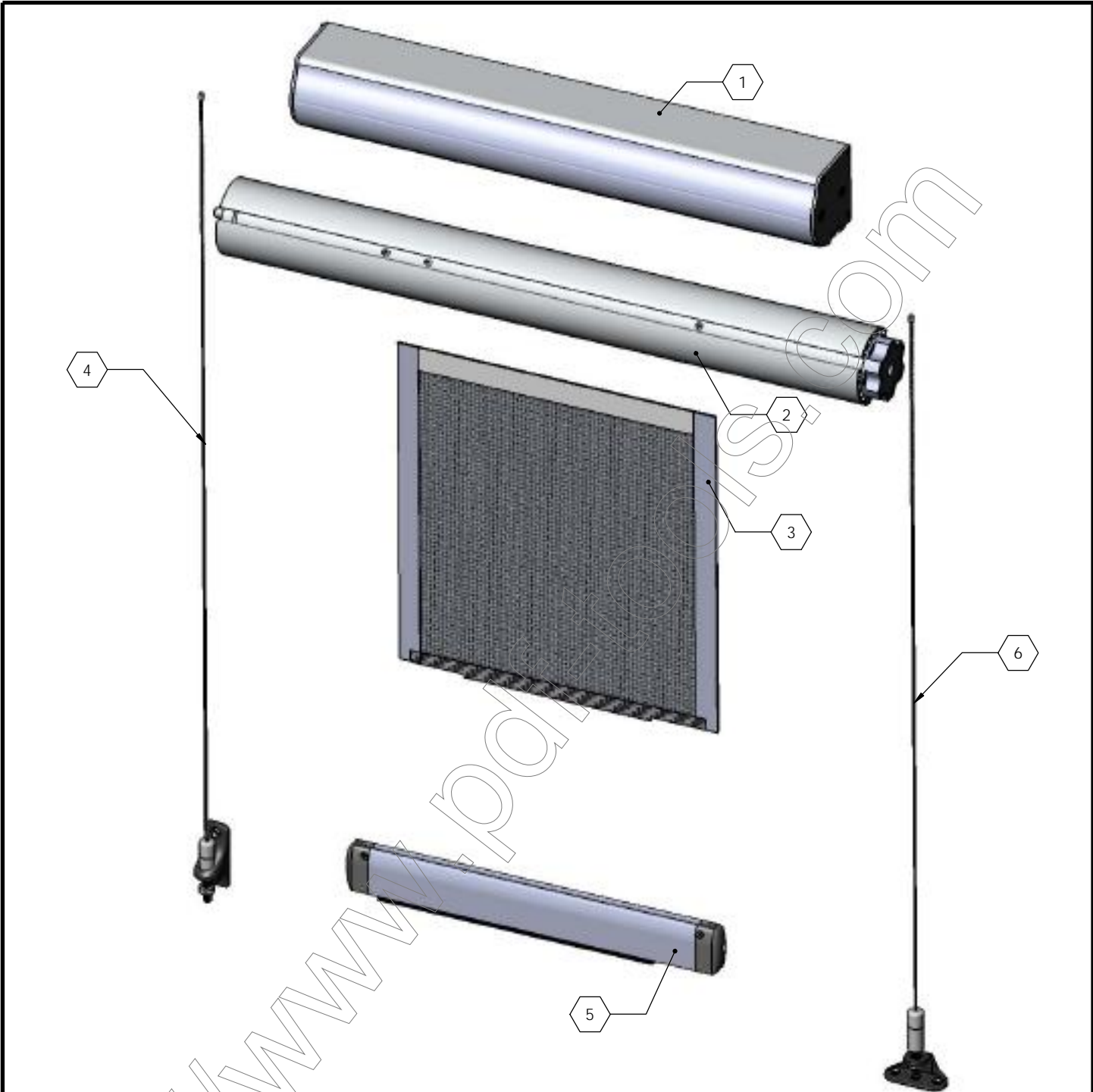
## RAINIER SCREEN SYSTEMS

DWG. NUMBER		DESCRIPTION	
RSS-811		SERIES 4 MOTOR ASSEMBLY	
MATERIAL		FINISH	
MISC			
REV	REV DATE	REV BY	REV DESCRIPTION
0	2013-11-20	JHN	REV 0

NOTES

NOTICE: This drawing shall not be copied or used for any purpose other than that for which provided. The information disclosed herein originated by & is the proprietary of Rainier Industries, and except for rights expressly granted by written consent. Such information shall not be disclosed or disseminated whole or in part. Rainier Industries reserves all patent, proprietary, design, use, sale, manufacturing and reproduction rights thereof.





#	DWG #	DESCRIPTION	MATERIAL	QTY
1	RSS-821	SERIES 4 CABLE HOUSING ASSEMBLY	MISCELLANEOUS	1
2	RSS-802	SERIES 4 ROLLER TUBE ASSEMBLY	MISCELLANEOUS	1
3	RSS-823	CABLE FABRIC ASSEMBLY	MISCELLANEOUS	1
4	RSS-824	CABLE WALL MOUNT ASSEMBLY	MISCELLANEOUS	2
5	RSS-825	CABLE HEM BAR ASSEMBLY	MISCELLANEOUS	1
6	RSS-826	CABLE FLOOR MOUNT ASSEMBLY	MISCELLANEOUS	2

18375 OLYMPIC AVE. S  
TUKWILA, WA 98188  
1-800-869-7162

<b>RAINIER SCREEN SYSTEMS</b>	
DWG NUMBER RSS-820	DESCRIPTION SERIES 4 CABLE ASSEMBLY
MATERIAL MISC	FINISH
REV 0	REV DATE 2013-12-01
REV BY JHN	REV DESCRIPTION REV 0

NOTES

NOTICE: This drawing shall not be copied or used for any purpose other than that for which provided. The information disclosed herein originated by & is the proprietary of Rainier Industries, and except for rights expressly granted by written consent. Such information shall not be disclosed or disseminated whole or in part. Rainier Industries reserves all patent, proprietary, design, use, sale, manufacturing and reproduction rights therefor.



#	DWG #	DESCRIPTION	MATERIAL	QTY
1	S10044	SERIES 4 HOUSING COVER	6063-T6 ALUMINUM	1
2	S10043	SERIES 4 HOUSING BASE	6063-T6 ALUMINUM	1
3	-	#6 X 3/4" SS SELF DRILLING SCREW	STAINLESS STEEL	6
4	-	M6 X 12mm FLAT HEAD SCREW	STAINLESS STEEL	2
5	S10010	SERIES 4 CABLE END CAP	6061-T5 ALUMINUM	2
6	S20061	STAR HEAD MOTOR MOUNT	STAINLESS STEEL	1
7	S30109	IDLER MOUNT	POM PLASTIC	1
8	S50169	MOTOR MOUNT CLIP	STAINLESS STEEL	1
9	-	M6 TYPE A2 SS HEX FULL NUT	STAINLESS STEEL	2
10	-	M16 X 16mm FLAT HEAD SCREW	STAINLESS STEEL	2
11	S80008	1/2" BRUSH PILE - BLACK	MISCELLANEOUS	-



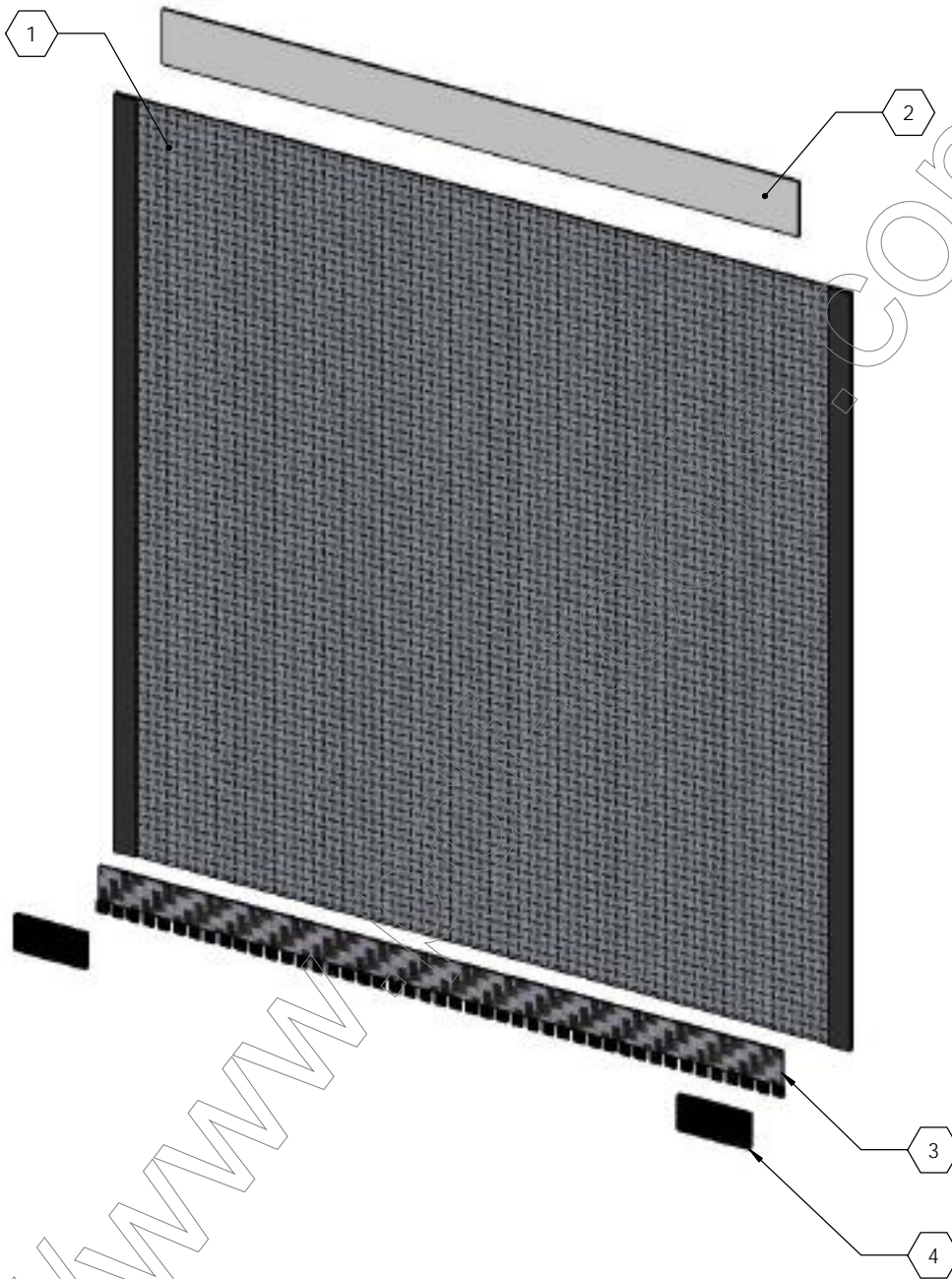
18375 OLYMPIC AVE. S  
TUKWILA, WA 98188  
1-800-869-7162

## RAINIER SCREEN SYSTEMS

DWG NUMBER		DESCRIPTION	
RSS-821		SERIES 4 CABLE HOUSING ASSEMBLY	
MATERIAL		FINISH	
MISC			
REV	REV DATE	REV BY	REV DESCRIPTION
0	2013-11-01	JHN	REV 0

NOTICE: This drawing shall not be copied or used for any purpose other than that for which provided. The information disclosed herein originated by & is the proprietary of Rainier Industries, and except for rights expressly granted by written consent. Such information shall not be disclosed or disseminated whole or in part. Rainier Industries reserves all patent, proprietary, design, use, sale, manufacturing and reproduction rights thereto.

NOTES



#	DWG #	DESCRIPTION	MATERIAL	QTY
1		FABRIC PANEL	PER ORDER	1
2	S00014	1" L/P VELCRO LOOP - WHITE	MISCELLANEOUS	VAR
3		#5 ZIPPER	MISCELLANEOUS	1
4		REINFORCEMENT TAB	-	2

18375 OLYMPIC AVE. S  
TUKWILA, WA 98188  
1-800-869-7162

## RAINIER SCREEN SYSTEMS

DWG NUMBER		DESCRIPTION	
RSS-823		CABLE FABRIC ASSEMBLY	
MATERIAL		FINISH	
MISC			
REV	REV DATE	REV BY	REV DESCRIPTION
0	2013-11-20	JHN	REV 0

NOTICE: This drawing shall not be copied or used for any purpose other than that for which provided. The information disclosed herein originated by & is the proprietary of Rainier Industries, and except for rights expressly granted by written consent. Such information shall not be disclosed or disseminated whole or in part. Rainier Industries reserves all patent, proprietary, design, use, sale, manufacturing and reproduction rights thereof.

NOTES



#	DWG #	DESCRIPTION	MATERIAL	QTY
1	S20090	CABLE GRIPS	MISCELLANEOUS	2
2		SS THIN NYLOC NUT 3/8"-16	STAINLESS STEEL	2
3	S20099	CABLE WALL BRACKET	ZAMAC ALUMINUM	2
4	S20037	CABLE DROP - 12.5' CABLE #AS-20-87-150	MISCELLANEOUS	2
4	S20036	CABLE DROP - 20' CABLE #AS-20-87-270	MISCELLANEOUS	2



## RAINIER SCREEN SYSTEMS

NOTES

DWG NUMBER		DESCRIPTION	
RSS-824		CABLE WALL MOUNT ASSEMBLY	
MATERIAL		FINISH	
MISC			
REV	REV DATE	REV BY	REV DESCRIPTION
0	2013-11-11	JHN	REV 0

NOTICE: This drawing shall not be copied or used for any purpose other than that for which provided. The information disclosed herein originated by & is the proprietary of Rainier Industries, and except for rights expressly granted by written consent. Such information shall not be disclosed or disseminated whole or in part. Rainier Industries reserves all patent, proprietary, design, use, sale, manufacturing and reproduction rights thereto.



#	DWG #	DESCRIPTION	MATERIAL	QTY
1	-	#6 X 3/4" PAN HEAD SCREW	STEEL	2
2	S20105	SINGLE HEM BAR END CAP - LEFT(CABLE)	POM PLASTIC	1
3	S10036	STANDARD HEM BAR	6063-T6 ALUMINUM	1
4	S20104	SINGLE HEM BAR END CAP - RIGHT(CABLE)	POM PLASTIC	1
5	-	#6 X 3/8 FLAT HEAD SCREW	STEEL	2
6	S20010	1/2 X 3/4 X 20' STEEL ROD (HEM BAR WEIGHT)	STEEL	2
7	S80008	1/2" BRUSH PILE - BLACK	MISCELLANEOUS	-
7	S80005	1/2" BRUSH PILE - WHITE	MISCELLANEOUS	-
7	S80006	1/4" BRUSH PILE - WHITE	MISCELLANEOUS	-
7	S80009	1/4" BRUSH PILE - BLACK	MISCELLANEOUS	-
7	S80017	SERIES 3 BRUSH PILE - BLACK	MISCELLANEOUS	-
7	S80010	1" BRUSH PILE - BLACK	MISCELLANEOUS	-
7	S80004	3/4" BRUSH PILE - WHITE	MISCELLANEOUS	-
7	S80011	2" BRUSH PILE - BLACK	MISCELLANEOUS	-



18375 OLYMPIC AVE. S  
TUKWILA, WA 98188  
1-800-869-7162

## RAINIER SCREEN SYSTEMS

DWG. NUMBER		DESCRIPTION	
RSS-825		CABLE HEM BAR ASSEMBLY	
MATERIAL		FINISH	
MISC			
REV	REV DATE	REV BY	REV DESCRIPTION
0	2013-25-11	JHN	REV 0

NOTICE: This drawing shall not be copied or used for any purpose other than that for which provided. The information disclosed herein originated by & is the proprietary of Rainier Industries, and except for rights expressly granted by written consent. Such information shall not be disclosed or disseminated whole or in part. Rainier Industries reserves all patent, proprietary, design, use, sale, manufacturing and reproduction rights thereto.

NOTES



#	DWG #	DESCRIPTION	MATERIAL	QTY
1	S20090	CABLE GRIPS	MISCELLANEOUS	2
2		SS THIN NYLOC NUT 3/8"-16	STAINLESS STEEL	2
3	S20103	CABLE FLOOR BRACKET	ZAMAC ALUMINUM	2
4	S20037	CABLE DROP - 12.5' CABLE #AS-20-87-150	MISCELLANEOUS	2
4	S20036	CABLE DROP - 20' CABLE #AS-20-87-270	MISCELLANEOUS	2

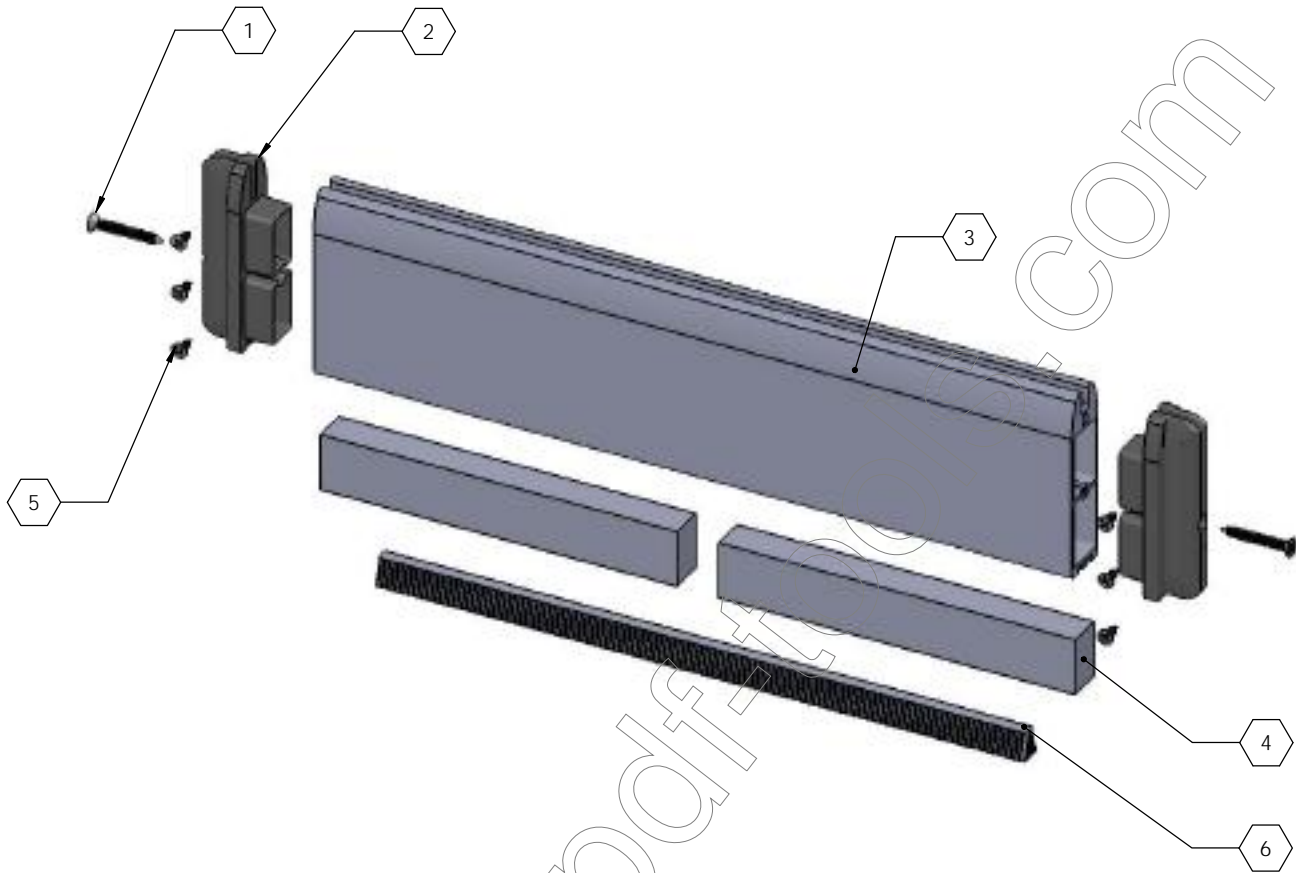


## RAINIER SCREEN SYSTEMS

NOTES

DWG NUMBER		DESCRIPTION	
RSS-826		CABLE FLOOR MOUNT ASSEMBLY	
MATERIAL		FINISH	
MISC			
REV	REV DATE	REV BY	REV DESCRIPTION
0	2013-11-11	JHN	REV 0

NOTICE: This drawing shall not be copied or used for any purpose other than that for which provided. The information disclosed herein originated by & is the proprietary of Rainier Industries, and except for rights expressly granted by written consent. Such information shall not be disclosed or disseminated whole or in part. Rainier Industries reserves all patent, proprietary, design, use, sale, manufacturing and reproduction rights thereof.



#	DWG #	DESCRIPTION	MATERIAL	QTY
1	-	#8 X 1-1/4" FLAT HEAD SCREW	STEEL	2
2	S20101	TALL HEM BAR END CAP	POM PLASTIC	2
3	S10080	TALL HEM BAR	6063-T6 ALUMINUM	1
4	S20095	5/8 X 1 X 20" STEEL ROD (TALL HEM BAR WEIGHT)	6063-T6 ALUMINUM	2
5	-	#6 X 3/8" FLAT HEAD SCREW	STEEL	6
6	S80008	1/2" BRUSH PILE - BLACK	MISCELLANEOUS	-
6	S80005	1/2" BRUSH PILE - WHITE	MISCELLANEOUS	-
6	S80006	1/4" BRUSH PILE - WHITE	MISCELLANEOUS	-
6	S80009	1/4" BRUSH PILE - BLACK	MISCELLANEOUS	-
6	S80017	SERIES 3 BRUSH PILE - BLACK	MISCELLANEOUS	-
6	S80010	1" BRUSH PILE - BLACK	MISCELLANEOUS	-
6	S80004	3/4" BRUSH PILE - WHITE	MISCELLANEOUS	-
6	S80011	2" BRUSH PILE - BLACK	MISCELLANEOUS	-

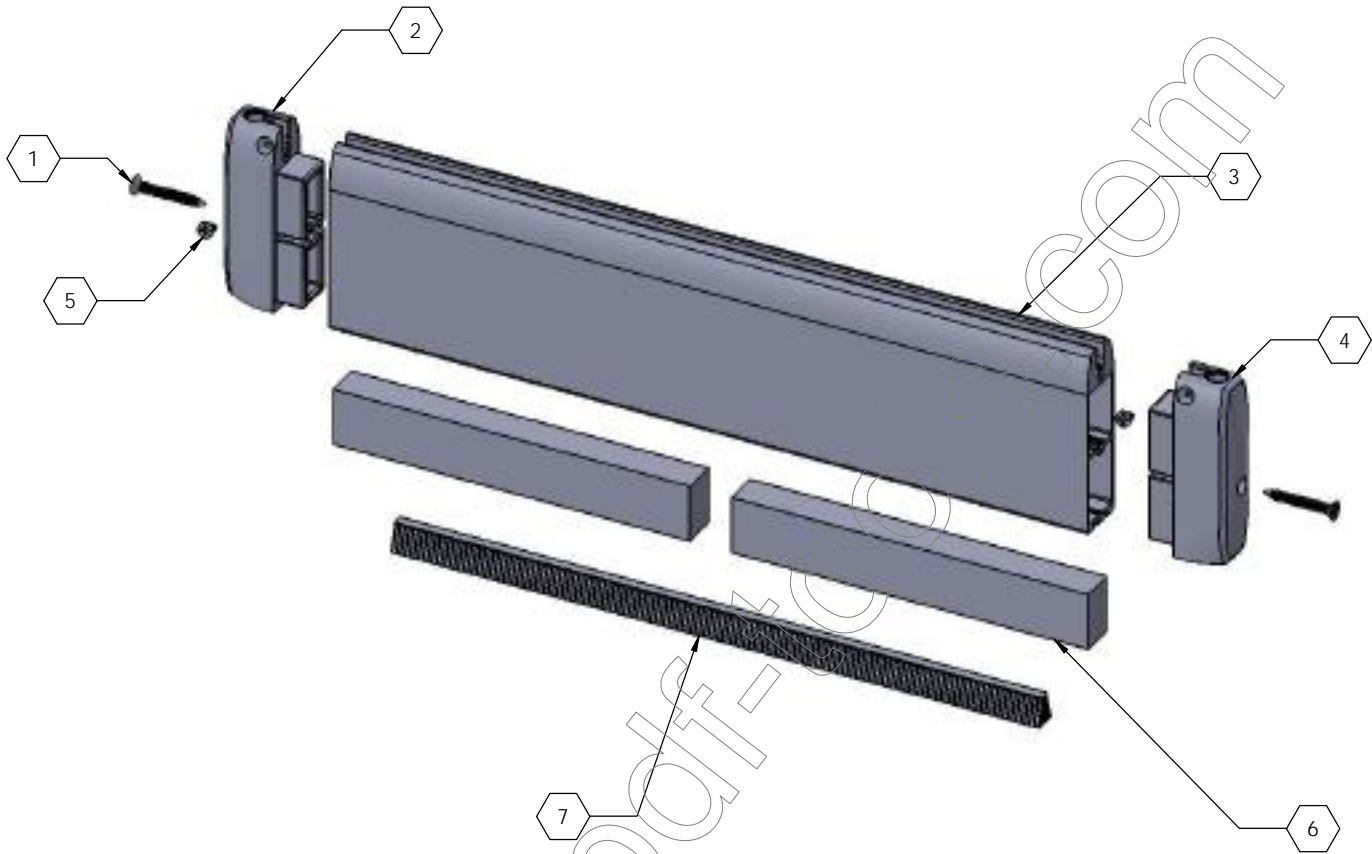
18375 OLYMPIC AVE. S  
TUKWILA, WA 98188  
1-800-869-7162

## RAINIER SCREEN SYSTEMS

DWG NUMBER		DESCRIPTION	
RSS-827		TALL HEM BAR ASSEMBLY	
MATERIAL		FINISH	
MISC			
REV	REV DATE	REV BY	REV DESCRIPTION
0	2013-11-12	JHN	REV 0

NOTICE: This drawing shall not be copied or used for any purpose other than that for which provided. The information disclosed herein originated by & is the proprietary of Rainier Industries, and except for rights expressly granted by written consent. Such information shall not be disclosed or disseminated whole or in part. Rainier Industries reserves all patent, proprietary, design, use, sale, manufacturing and reproduction rights thereto.

NOTES



#	DWG #	DESCRIPTION	MATERIAL	QTY
1	-	#6 X 3/4" PAN HEAD SCREW	STEEL	2
2	S20105	TALL HEM BAR END CAP - LEFT(CABLE)	POM PLASTIC	1
3	S10036	TALL HEM BAR	6063-T6 ALUMINUM	1
4	S20104	TALL HEM BAR END CAP - RIGHT(CABLE)	POM PLASTIC	1
5	-	#6 X 3/8" FLAT HEAD SCREW	STEEL	2
6	S20010	5/8" X 1" X 20' STEEL ROD (TALL HEM BAR WEIGHT)	STEEL	2
7	S80008	1/2" BRUSH PILE - BLACK	MISCELLANEOUS	-
7	S80005	1/2" BRUSH PILE - WHITE	MISCELLANEOUS	-
7	S80006	1/4" BRUSH PILE - WHITE	MISCELLANEOUS	-
7	S80009	1/4" BRUSH PILE - BLACK	MISCELLANEOUS	-
7	S80017	SERIES 3 BRUSH PILE - BLACK	MISCELLANEOUS	-
7	S80010	1" BRUSH PILE - BLACK	MISCELLANEOUS	-
7	S80004	3/4" BRUSH PILE - WHITE	MISCELLANEOUS	-
7	S80011	2" BRUSH PILE - BLACK	MISCELLANEOUS	-



18375 OLYMPIC AVE. S  
TUKWILA, WA 98188  
1-800-869-7162

## RAINIER SCREEN SYSTEMS

DWG NUMBER RSS-828		DESCRIPTION TALL CABLE HEM BAR ASSEMBLY	
MATERIAL MISC		FINISH	
REV 0	REV DATE 2013-25-11	REV BY JHN	REV DESCRIPTION REV 0

NOTES

NOTICE: This drawing shall not be copied or used for any purpose other than that for which provided. The information disclosed herein originated by & is the proprietary of Rainier Industries, and except for rights expressly granted by written consent. Such information shall not be disclosed or disseminated whole or in part. Rainier Industries reserves all patent, proprietary, design, use, sale, manufacturing and reproduction rights thereof.





#	DWG #	DESCRIPTION	MATERIAL	QTY
1	RSS-901	SERIES 5 SRS HOUSING ASSEMBLY	MISCELLANEOUS	1
2	RSS-902	SERIES 5 ROLLER TUBE ASSEMBLY	MISCELLANEOUS	1
3	RSS-703	SRS FABRIC ASSEMBLY	MISCELLANEOUS	1
4	RSS-704	STANDARD SIDE TRACK ASSEMBLY	MISCELLANEOUS	2
5	RSS-705	HEM BAR ASSEMBLY	MISCELLANEOUS	1



18375 OLYMPIC AVE. S  
TUKWILA, WA 98188  
1-800-869-7162

## RAINIER SCREEN SYSTEMS

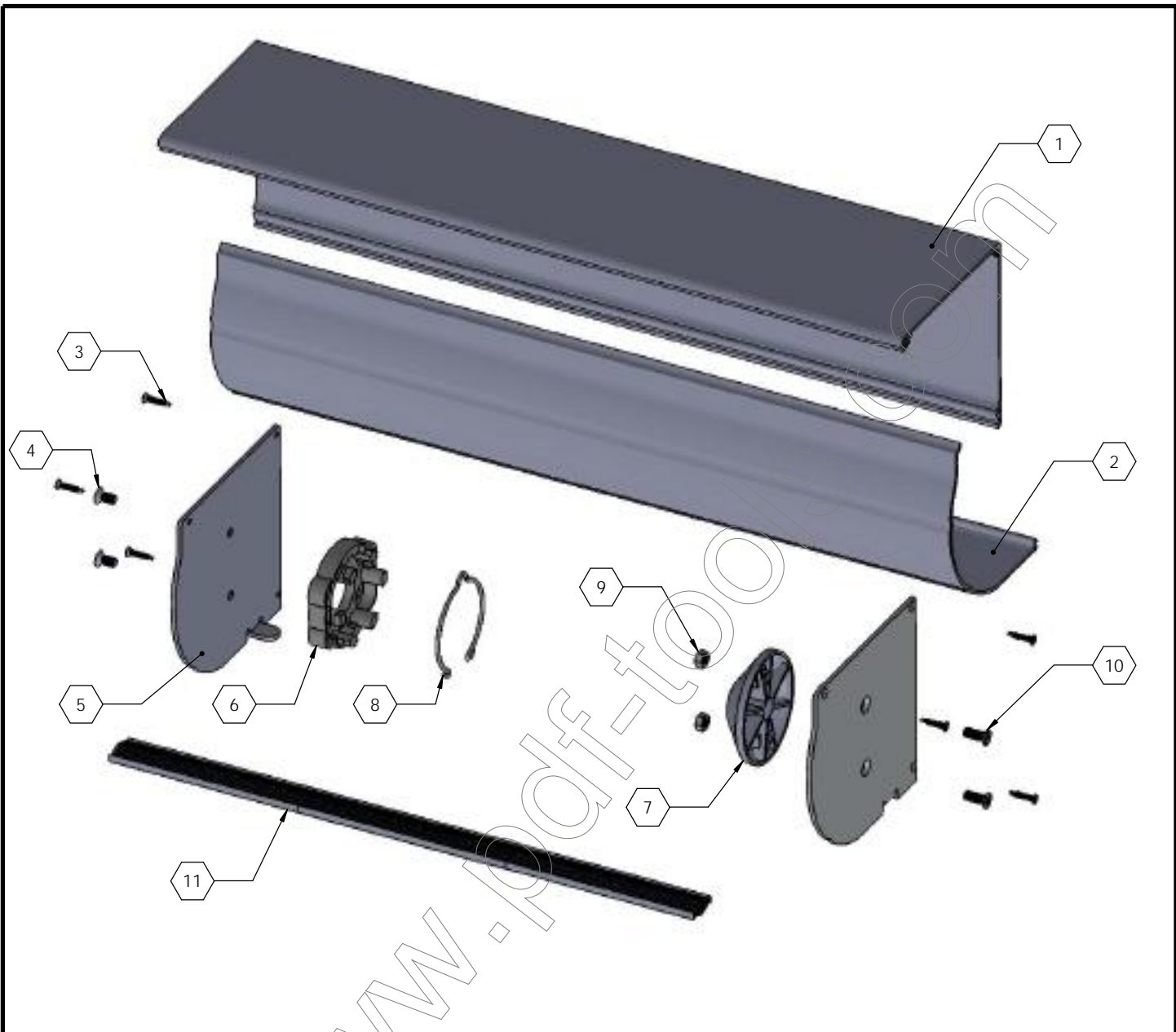
NOTES

DWG NUMBER: RSS-900 DESCRIPTION: SERIES 5 SRS ASSEMBLY

MATERIAL: MISC FINISH:

REV 0 REV DATE: 2013-06-12 REV BY: JHN REV DESCRIPTION: REV 0

NOTICE: This drawing shall not be copied or used for any purpose other than that for which provided. The information disclosed herein originated by & is the proprietary of Rainier Industries, and except for rights expressly granted by written consent. Such information shall not be disclosed or disseminated whole or in part. Rainier Industries reserves all patent, proprietary, design, use, sale, manufacturing and reproduction rights thereof.



#	DWG #	DESCRIPTION	MATERIAL	QTY
1	S10035	SERIES 5 SRS HOUSING COVER	6063-T6 ALUMINUM	1
2	S10034	SERIES 5 SRS HOUSING BASE	6063-T6 ALUMINUM	1
3	-	#6 X 3/4" SS SELF DRILLING SCREW	STAINLESS STEEL	6
4	-	M6 X 12mm FLAT HEAD SCREW	STAINLESS STEEL	2
5	S10006	SERIES 5 END CAP	6061-T5 ALUMINUM	2
6	S20061	STAR HEAD MOTOR MOUNT	STAINLESS STEEL	1
7	S30109	IDLER MOUNT	POM PLASTIC	1
8	S50169	MOTOR MOUNT CLIP	STAINLESS STEEL	1
9	-	M6 TYPE A2 SS HEX FULL NUT	STAINLESS STEEL	2
10	-	M16 X 16mm FLAT HEAD SCREW	STAINLESS STEEL	2
11	S80008	1/2" BRUSH PILE - BLACK	MISCELLANEOUS	-

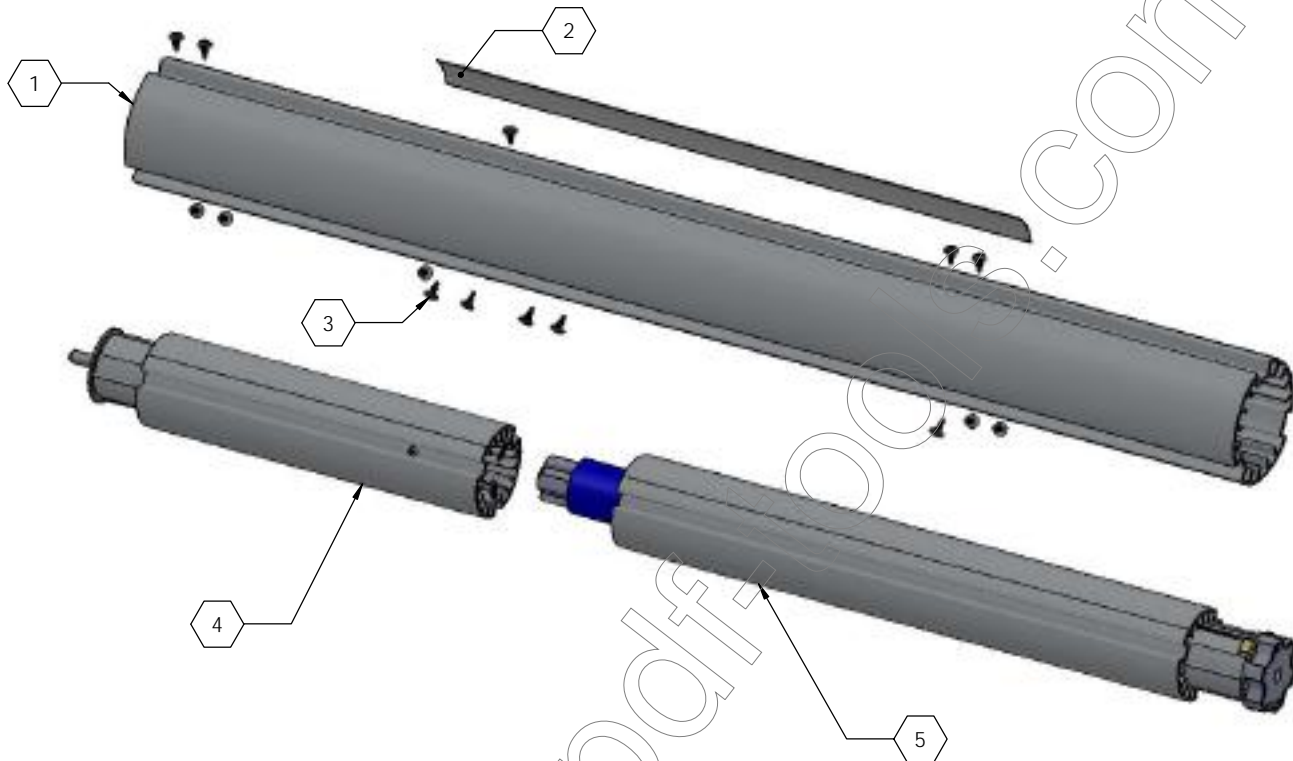
18375 OLYMPIC AVE. S  
TUKWILA, WA 98188  
1-800-869-7162

## RAINIER SCREEN SYSTEMS

DWG NUMBER		DESCRIPTION	
RSS-901		SERIES 5 SRS HOUSING ASSEMBLY	
MATERIAL		FINISH	
MISC			
REV	REV DATE	REV BY	REV DESCRIPTION
0	2013-26-12	JHN	REV 1

NOTICE: This drawing shall not be copied or used for any purpose other than that for which provided. The information disclosed herein originated by & is the proprietary of Rainier Industries, and except for rights expressly granted by written consent. Such information shall not be disclosed or disseminated whole or in part. Rainier Industries reserves all patent, proprietary, design, use, sale, manufacturing and reproduction rights thereto.

NOTES



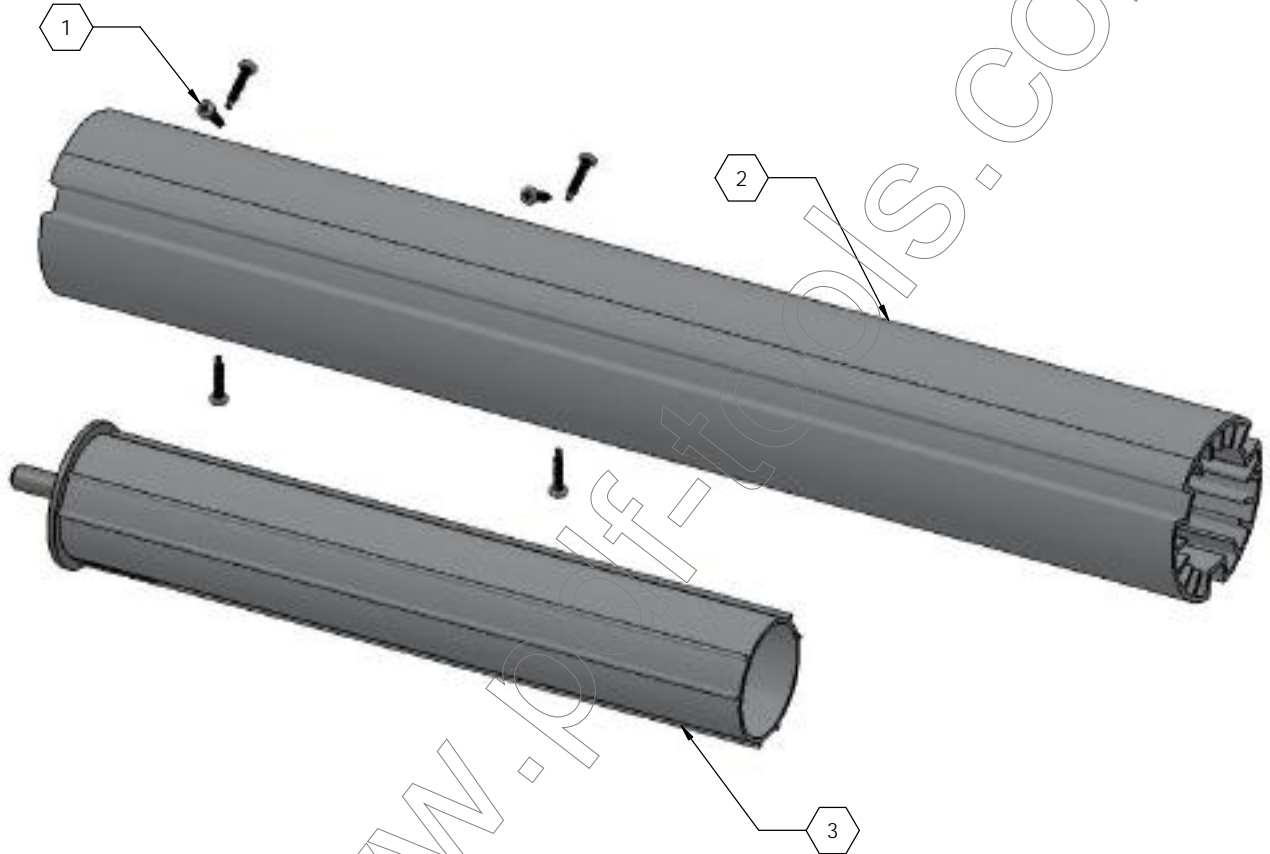
#	DWG #	DESCRIPTION	MATERIAL	QTY
1	S10047	SERIES 5 OUTER ROLLER TUBE	6063-T6 ALUMINUM	1
2	S00014	2" L/P VELCRO LOOP - WHITE (FABRIC)	MISCELLANEOUS	VAR
3		#6 X 3/4" PAN HEAD SCREW	STEEL	15
4	RSS-910	SERIES 5 IDLER ASSEMBLY	MISCELLANEOUS	1
5	RSS-911	SERIES 5 MOTOR ASSEMBLY	MISCELLANEOUS	1

18375 OLYMPIC AVE. S  
TUKWILA, WA 98188  
1-800-869-7162

<b>RAINIER SCREEN SYSTEMS</b>	
DWG NUMBER RSS-902	DESCRIPTION SERIES 5 ROLLER TUBE ASSEMBLY
MATERIAL MISC	FINISH
REV 0	REV DATE 2013-11-12
REV BY JHN	REV DESCRIPTION REV 0

NOTES

NOTICE: This drawing shall not be copied or used for any purpose other than that for which provided. The information disclosed herein originated by & is the proprietary of Rainier Industries, and except for rights expressly granted by written consent. Such information shall not be disclosed or disseminated whole or in part. Rainier Industries reserves all patent, proprietary, design, use, sale, manufacturing and reproduction rights thereof.



#	DWG #	DESCRIPTION	MATERIAL	QTY
1		#6 X 3/8 PHIL PAN HEAD SCREW	STEEL	6
2	S10028	SERIES 5 ROLLER TUBE	6063-T6 ALUMINUM	1
3	RSS-810	SERIES 4 IDLER TUBE ASSEMBLY	MISCELLANEOUS	1



18375 OLYMPIC AVE. S  
TUKWILA, WA 98188  
1-800-869-7162

## RAINIER SCREEN SYSTEMS

DWG. NUMBER		DESCRIPTION	
RSS-910		SERIES 5 IDLER ASSEMBLY	
MATERIAL		FINISH	
MISC			
REV	REV DATE	REV BY	REV DESCRIPTION
0	2013-03-12	JHN	REV 0

NOTICE: This drawing shall not be copied or used for any purpose other than that for which provided. The information disclosed herein originated by & is the proprietary of Rainier Industries, and except for rights expressly granted by written consent. Such information shall not be disclosed or disseminated whole or in part. Rainier Industries reserves all patent, proprietary, design, use, sale, manufacturing and reproduction rights thereof.

NOTES



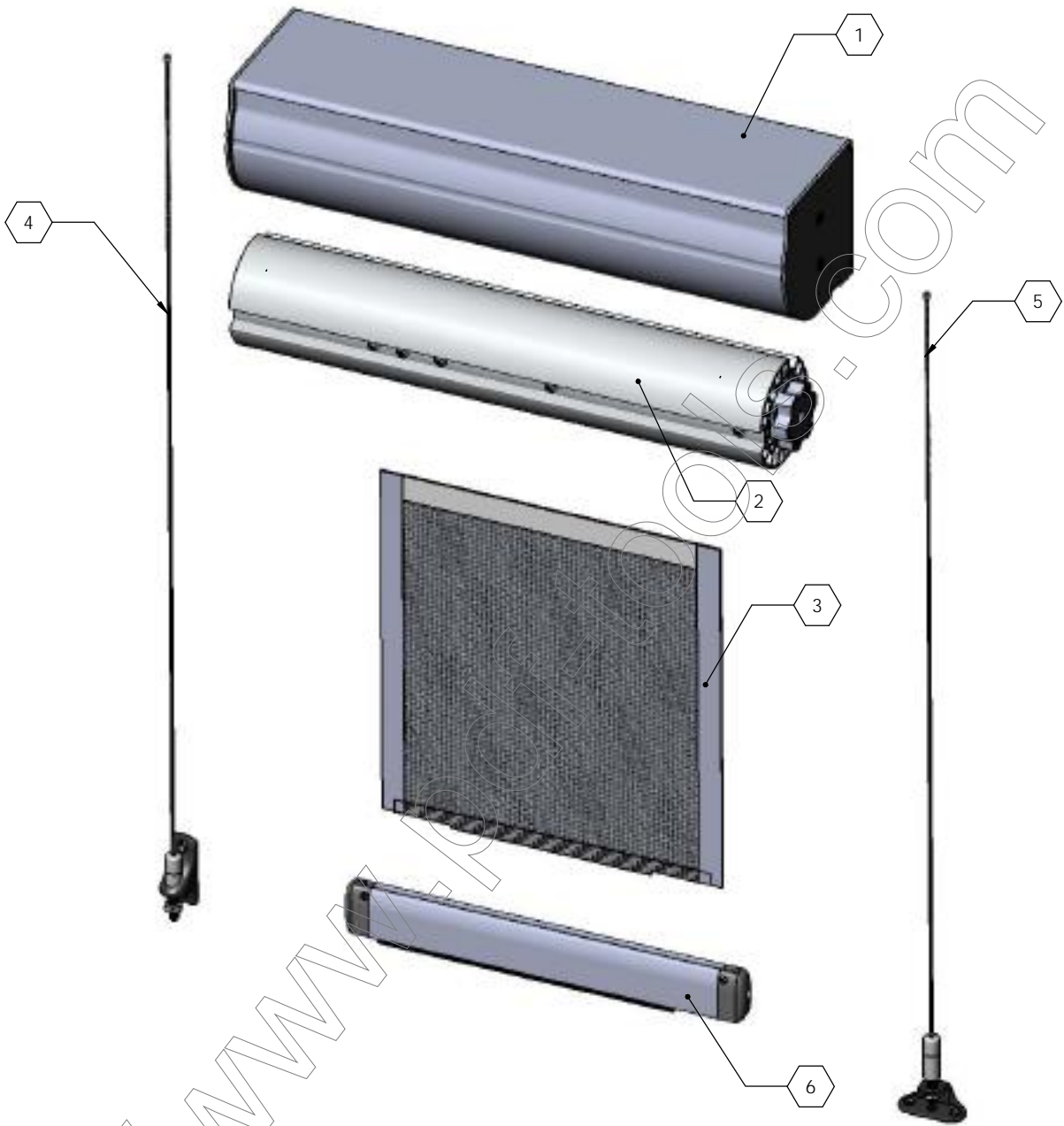
#	DWG #	DESCRIPTION	MATERIAL	QTY
1		#6 X 3/8 PHIL PAN HEAD SCREW	STEEL	6
2	S10028	SERIES 5 ROLLER TUBE	6063-T6 ALUMINUM	1
3	RSS-811	SERIES 4 MOTOR TUBE	MISCELLANEOUS	1



<b>RAINIER SCREEN SYSTEMS</b>			
DWG NUMBER RSS-911		DESCRIPTION SERIES 5 MOTOR ASSEMBLY	
MATERIAL MISC		FINISH	
REV 0	REV DATE 2013-03-12	REV BY JHN	REV DESCRIPTION REV 0

NOTES

NOTICE: This drawing shall not be copied or used for any purpose other than that for which provided. The information disclosed herein originated by & is the proprietary of Rainier Industries, and except for rights expressly granted by written consent. Such information shall not be disclosed or disseminated whole or in part. Rainier Industries reserves all patent, proprietary, design, use, sale, manufacturing and reproduction rights thereto.



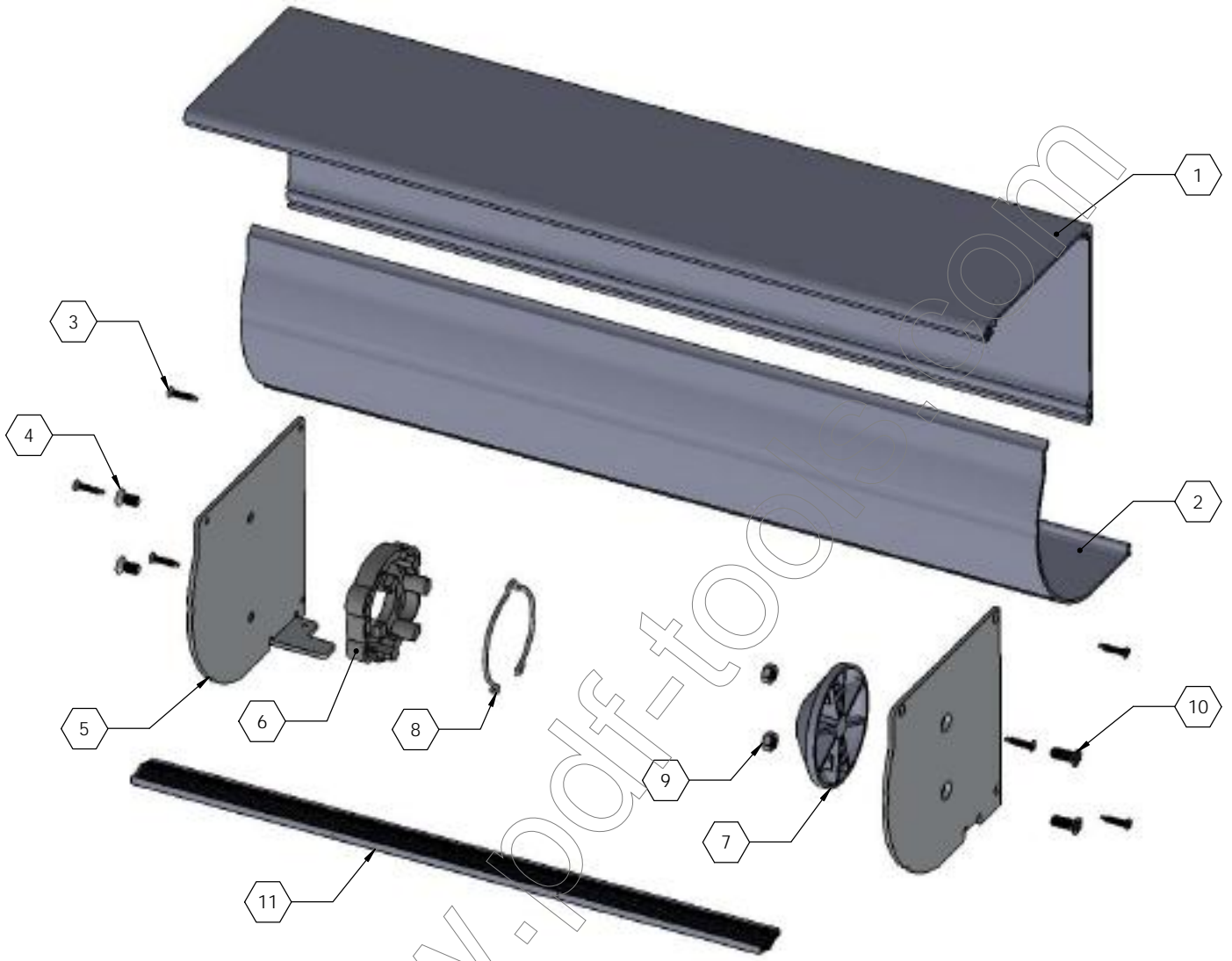
#	DWG #	DESCRIPTION	MATERIAL	QTY
1	RSS-921	SERIES 5 CABLE HOUSING ASSEMBLY	MISCELLANEOUS	1
2	RSS-902	SERIES 5 ROLLER TUBE ASSEMBLY	MISCELLANEOUS	1
3	RSS-923	CABLE FABRIC ASSEMBLY	MISCELLANEOUS	1
4	RSS-824	CABLE WALL MOUNT ASSEMBLY	MISCELLANEOUS	2
5	RSS-826	CABLE FLOOR MOUNT ASSEMBLY	MISCELLANEOUS	2
6	RSS-825	CABLE HEM BAR ASSEMBLY	MISCELLANEOUS	1



<b>RAINIER SCREEN SYSTEMS</b>			
DWG NUMBER		DESCRIPTION	
RSS-920		SERIES 5 CABLE ASSEMBLY	
MATERIAL		FINISH	
MISC			
REV	REV DATE	REV BY	REV DESCRIPTION
0	2013-01-12	JHN	REV 0

NOTES

NOTICE: This drawing shall not be copied or used for any purpose other than that for which provided. The information disclosed herein originated by & is the proprietary of Rainier Industries, and except for rights expressly granted by written consent. Such information shall not be disclosed or disseminated whole or in part. Rainier Industries reserves all patent, proprietary, design, use, sale, manufacturing and reproduction rights thereto.



#	DWG #	DESCRIPTION	MATERIAL	QTY
1	S10035	SERIES 5 SRS HOUSING COVER	6063-T6 ALUMINUM	1
2	S10034	SERIES 5 SRS HOUSING BASE	6063-T6 ALUMINUM	1
3	-	#6 X 3/4" SS SELF DRILLING SCREW	STAINLESS STEEL	6
4	-	M6 X 12mm FLAT HEAD SCREW	STAINLESS STEEL	2
5	S10003	SERIES 5 CABLE END CAP	6061-T5 ALUMINUM	2
6	S20061	STAR HEAD MOTOR MOUNT	STAINLESS STEEL	1
7	S30109	IDLER MOUNT	POM PLASTIC	1
8	S50169	MOTOR MOUNT CLIP	STAINLESS STEEL	1
9	-	M6 TYPE A2 SS HEX FULL NUT	STAINLESS STEEL	2
10	-	M16 X 16mm FLAT HEAD SCREW	STAINLESS STEEL	2
11	S80008	1/2" BRUSH PILE - BLACK	MISCELLANEOUS	-



18375 OLYMPIC AVE. S  
TUKWILA, WA 98188  
1-800-869-7162

## RAINIER SCREEN SYSTEMS

DWG NUMBER		DESCRIPTION	
RSS-921		SERIES 5 CABLE HOUSING ASSEMBLY	
MATERIAL		FINISH	
MISC			
REV	REV DATE	REV BY	REV DESCRIPTION
0	2013-01-11	JHN	REV 0

NOTICE: This drawing shall not be copied or used for any purpose other than that for which provided. The information disclosed herein originated by & is the proprietary of Rainier Industries, and except for rights expressly granted by written consent. Such information shall not be disclosed or disseminated whole or in part. Rainier Industries reserves all patent, proprietary, design, use, sale, manufacturing and reproduction rights thereof.

NOTES