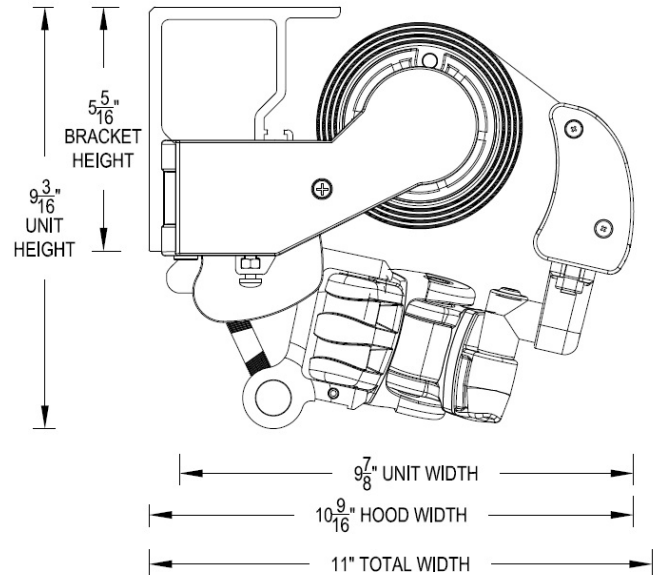
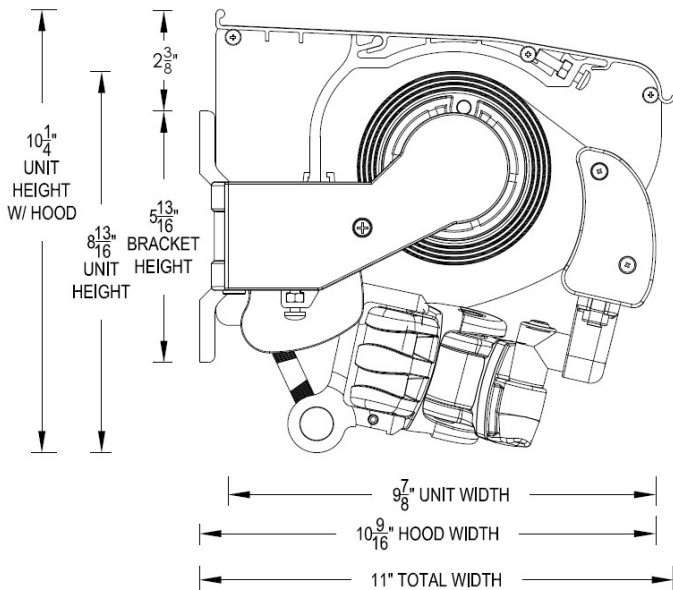




## RAINIER LATERAL ARM AWNING INSTALLATION GUIDE

### DETERMINE WHICH MOUNTING BRACKETS TO USE:

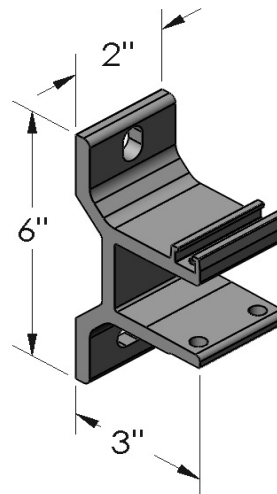


There are two primary styles of installation brackets.

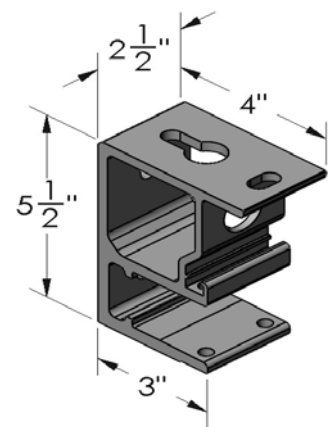
1. The “**wall bracket**” is designed for to a vertical surface, such as a wall.
2. The “**soffit brackets**” is designed primarily to mount to the underside of a soffit but can also be mounted to vertical surfaces.

Awnings that will mount to roofs will use Rainier roof-mount brackets with wall brackets. Roof mounting is very common on single story homes or where adequate mounting height cannot be obtained when mounting to a wall or soffit.

You will need to specify which type of mounting brackets to use prior to ordering your Rainier awning. Specify the appropriate brackets when you order the awning.



Wall Bracket



Soffit Bracket